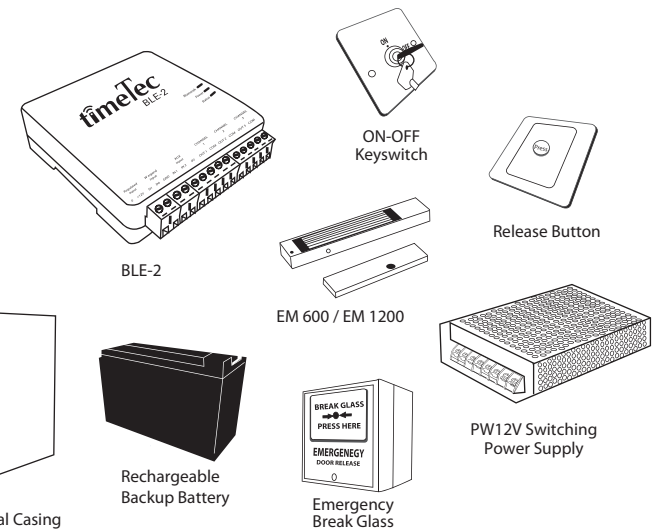


## TimeTec BLE-2 Smart Door Controller



**STEP • 2**  
Make sure you have all the required accessories for the installation



## Installation Guide

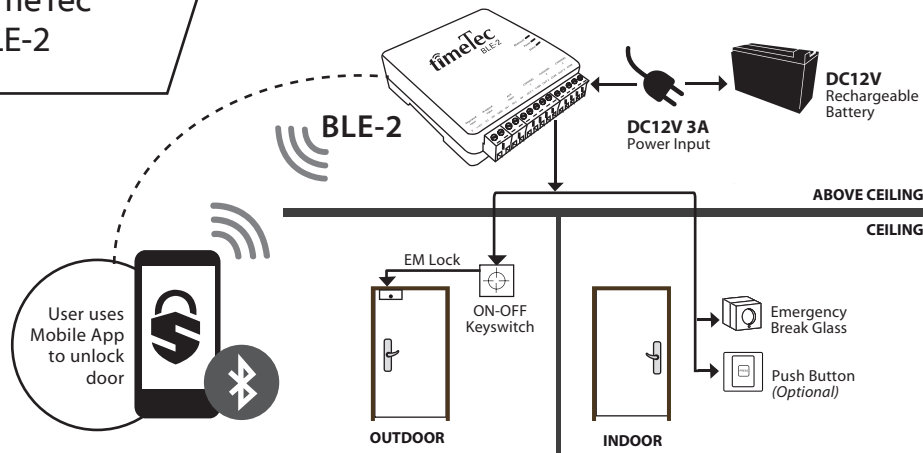


©2018 Timetec Cloud Sdn Bhd. All rights reserved • 072018

**STEP • 1**  
Determine where you want to install TimeTec BLE-2

### RECOMMENDATIONS:

- Install the device near an active power source, on a ceiling above a door or somewhere near the door to minimize the need for extra wiring.
- Use the DIY metal casing to neatly house the device, its power supply and rechargeable backup battery.
- Please avoid installing the device at a location prone to high moisture or high condensation level in the environment.



The list below is necessary for any single door access system.

- 1 x PW12V Switching Power Supply - AC/DC switching power supply to keep the battery charged during daily operation.
- 1 x Rechargeable Backup Battery - To prolong the system's standby time during a power failure.
- 1 X Electronic Door Lock (EM600/EM1200) - Normally Close (NC) and Normally Open (NO) type of electronic door lock. Adjust TimeTec BLE-2's output switch to match the EM lock.
- 1 x Release Button - Pressing this button will cut the electricity to the lock thus releasing it.
- 1 x Emergency Break Glass - A safety device to unlock the door during an emergency.
- 1 x ON-OFF Keyswitch - Backup key switch to override the system in case of a system failure.
- 1 x DIY Metal Casing - A protective metal box designed to house TimeTec BLE-2, power supply and rechargeable backup battery.
- Install TimeTec Security App.

The User Guide for TimeTec Security App can be obtained in the App or in our website at [www.timetecsecurity.com](http://www.timetecsecurity.com)

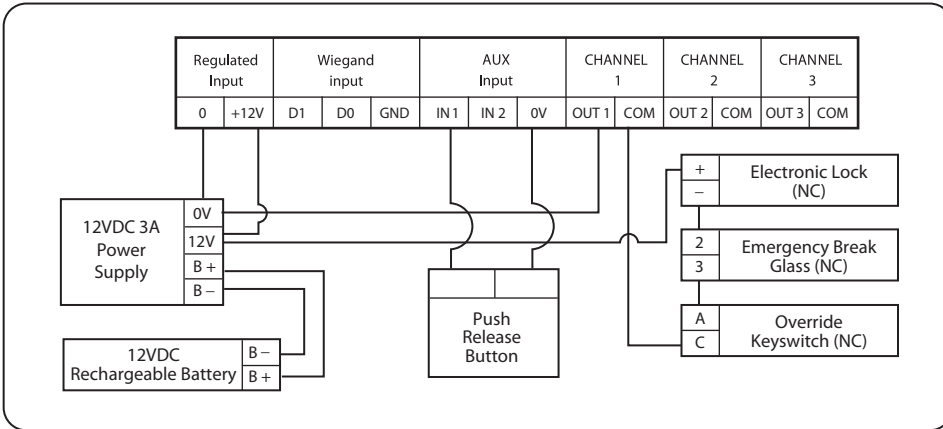


**GET TIMETEC SECURITY APP USER GUIDE FOR BLE-2**  
[www.timetecsecurity.com/smartble2guide](http://www.timetecsecurity.com/smartble2guide)

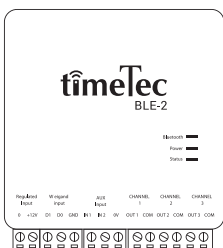
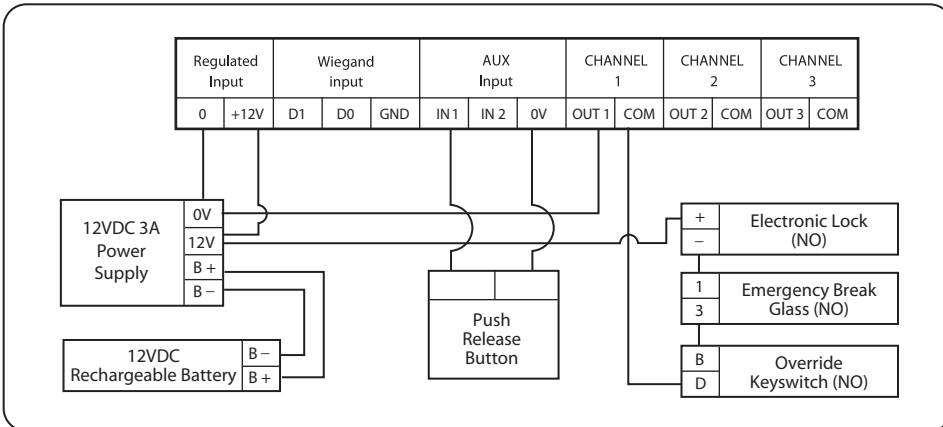
## STEP • 3 Get ready to install

Follow the diagram below to setup TimeTec BLE-2 and all its accessories.

### • NC Type Electronic Door Lock



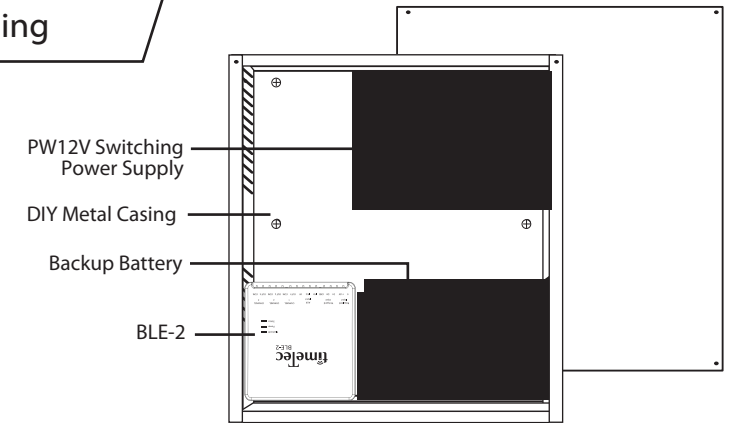
### • NO Type Electronic Door Lock.



#### NOTE:

- ↑ Please slide up the switch to enable Normally Open (NO) mode.
- ↓ Please slide down the switch to enable Normally Close (NC) mode.

## STEP • 4 Arrangement in the metal casing



## STEP • 5 Inspect the progress of the installation

### PRIMARY INSPECTION TimeTec BLE-2 Connectivity

- Check TimeTec BLE-2 LED status.
- Check whether the Bluetooth LED is activated.
- Check whether the Power LED is activated.
- Check whether the Status LED is blinking.

### SECONDARY INSPECTION Electronic door lock and its accessories.

- Check whether the electronic door lock powers up and locks firmly. Adjust the lock position, if it does not lock firmly.
- Check whether a press on the push release button will release and unlock the door successfully.
- While triggering the emergency break glass testing mode, the door will unlock permanently. Please adjust the emergency break glass to standby mode again and make sure that the door lock is re-energized.
- Turn the override key switch to OFF position and make sure that the door lock unlocks permanently. Turn the override key switch to ON position again and make sure that the door lock is re-energized and locks the door.
- Login to TimeTec Security Mobile App, tap unlock and ensure that the electronic door lock releases successfully.

This guide is prepared in the English language, for other languages, please refer to the website.

Please register product warranty at [http://www.fingertec.com/ver2/english/e\\_warranty.htm](http://www.fingertec.com/ver2/english/e_warranty.htm)  
If any of the above is not working as expected, please check the wiring or contact [support@timeteccloud.com](mailto:support@timeteccloud.com)