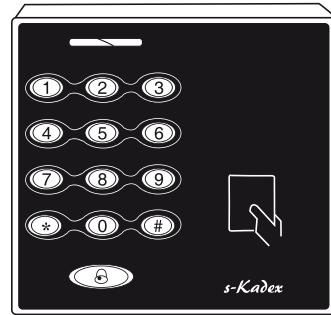


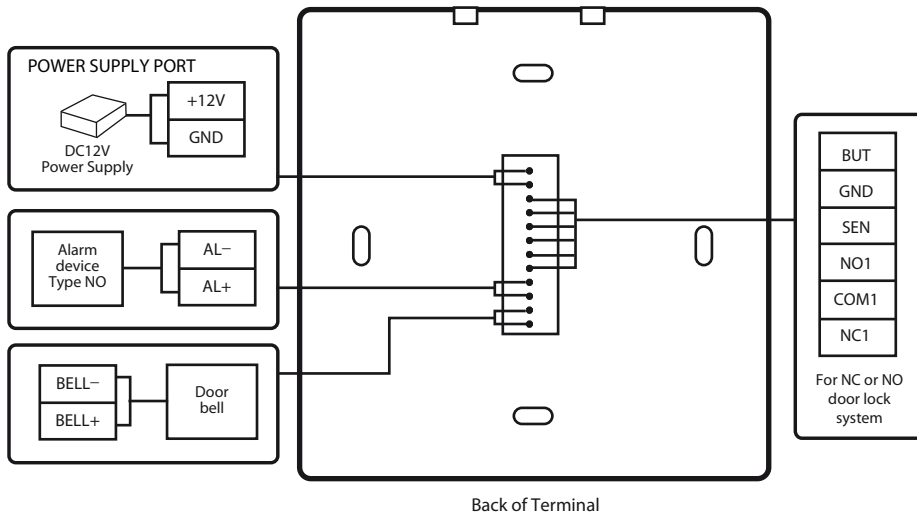
*s-Kadex*  
Stand-alone Card & Password  
Access Control System



# Installation Guide

## 3 WIRING FOR POWER SUPPLY

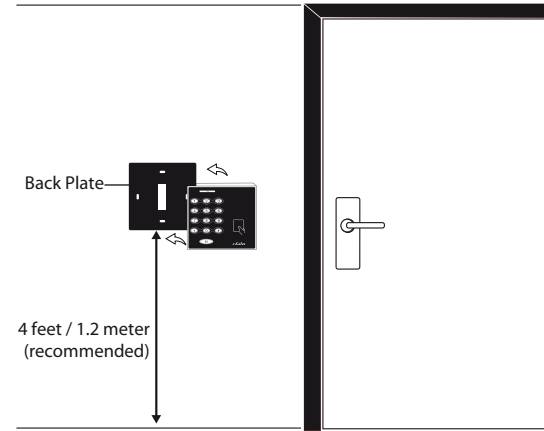
The power input ports for these models are located at the rear of the terminals. There is no adapter plug supplied with the models, instead you need to source for power cables (red and black cables) to connect the power from the terminal to a power supply.



## 1 DETERMINE THE LOCATION AND POSITIONING OF THE INSTALLATION

- Avoid installing the terminals in locations with high moisture or condensation levels in the air.
- The recommended installation height of the terminal from the ground is 1.2 meter.

## 2 MOUNTING OF TERMINALS ON A WALL



After determining the height of the terminal from the ground level and making the relevant marks on the wall, drill the screws into the wall to hang the back plate.

Refer to Appendix for dimensions and measurements of installation.

## 4 CONFIGURING THE SECURITY SETTINGS

**Note:** Refer to user guide to learn verify your admin password.

### ADJUST DOOR UNLOCK TIME

Adjust time for device to unlock according to your preference.

**Operation:** Verify your Admin password > Press 4 > Green LED blinks > Buzzer emits long beep > Insert time in seconds, i.e. 10 > Green LED blinks > Buzzer emits long beep > Timer adjusted successfully

**Note:** The maximum unlock time is 254s. If you want to insert values less than 3-digits, hash (#) is required. E.g.: 10 will be keyed in as 10#.

### SELECT DOOR SENSOR TYPE

Installing a door sensor is important to monitor door activity. Select the type (NO or NC) before it starts to work.

**Operation:** Verify your Admin password > Press 0 > Green LED blinks > Buzzer emits long beep > Press 5 > Green LED blinks > Buzzer emits long beep > Press number to select type of door sensor > Green LED blinks > Buzzer emits long beep > Changes done successfully

<b>Note:</b>	NO Type	0
	NC Type	1
	Disable door sensor	2

### ADJUST DOOR SENSOR DELAY TIME

Set time to allow door to remain open after unlocking. The device alerts you with a buzzer sound when the allowed time runs out.

**Operation:** Verify your Admin Password > Green LED blinks > Buzzer emits long beep > Press 0 > Green LED blinks > Buzzer emits long beep > Press 4 > Green LED blinks > Buzzer emits long beep > Insert time in seconds, i.e. 10 > Green LED blinks > Buzzer emits long beep > Changes done successfully

**Note:** The maximum delay time is 254s. If you want to insert values less than 3-digits, hash (#) is required. E.g.: 10 will be keyed in as 10#.

### ENABLE ALARM OUTPUT FROM DEVICE

It is optional to link s-Kadex to an alarm or siren to amplify its alerts. Make sure you enable the alarm output feature after linking up with the siren or alarm system.

**Operation:** Verify your Admin password > Press 0 > Green LED blinks > Buzzer emits long beep > Press 1 > Green LED blinks > Buzzer emits long beep > Press 0 to enable > Green LED blinks > Buzzer emits long beep > Changes done successfully



**Note:** Press 1 to disable this feature if you do not want to link up s-Kadex with an alarm or siren system.

To turn off alarm output: Verify your Admin password > Press #

### ENABLE ILLEGAL DISMANTLE ALARM

s-Kadex will trigger the alarm or siren system immediately if somebody tries to dismantle it.

**Operation:** Verify your Admin password > Green LED blinks > Buzzer emits long beep > Press 7 > Green LED blinks > Buzzer emits long beep > Press 0 > Green LED blinks > Buzzer emits long beep > Changes done successfully

**Note:** Press 1 to disable this feature if you do not want to use it.

### APPLY MULTI VERIFICATION METHOD

You can increase your access control's security level by applying multiple verification methods.

**Operation:** Verify your Admin password > Press 5 > Green LED blinks > Buzzer emits long beep > Insert number to represent the type of multi verification (as per table shown) > Green LED blinks > Buzzer emits long beep > Multi verification applied successfully

NUMBER	MULTI VERIFICATION
1	Password only
2	Card only
3	No function
4	Card/password
5	Card follow by password
6	No function

### ENABLE FAIL VERIFICATION ALARM

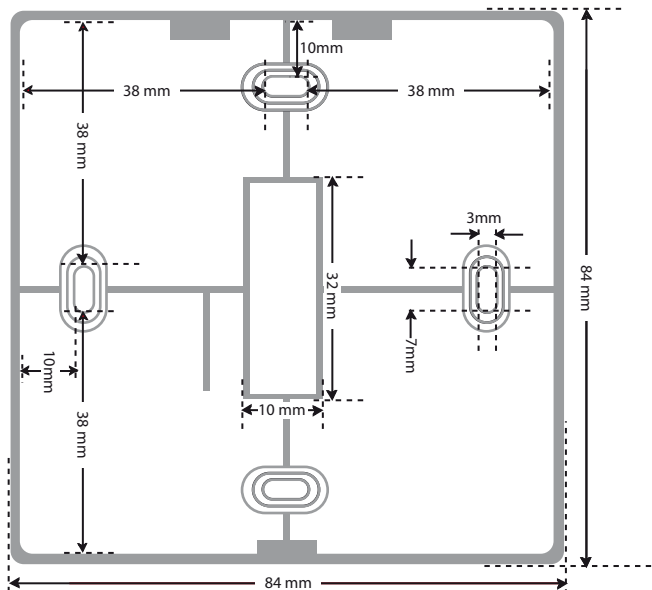
Enable device to trigger alarm or siren system when a user fails to verify more than 3 continuous times.

**Operation:** Verify your Admin password > Press 0 > Green LED blinks > Buzzer emits long beep > Press 2 > Green LED blinks > Buzzer emits long beep > Press 0 > Green LED blinks > Buzzer emits long beep > Changes done successfully

**Note:** Press 1 to disable this feature if you do not want to use it.

## APPENDIX • TERMINAL DIMENSIONS AND MEASUREMENTS

Front View of Terminal Back Plate



## 5 FINALIZING THE INSTALLATION

1. Check that all cable connections are done correctly.
2. Attach the terminal to the corresponding back plates and tighten the screws to secure the terminal on the wall.
3. Switch on the power to the terminal.
4. Start using the terminal.

## DOOR LOCK ACCESSORIES

FingerTec offers various door lock accessories to complement FingerTec door access products. For more info, go to <http://accessory.fingertec.com>.

## APPENDIX • POWER SUPPLY & DOOR LOCK SYSTEM WIRING DIAGRAMS

Diagram 1 • Normally Close (NC)

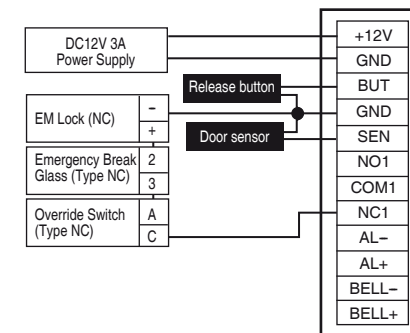


Diagram 2 • Normally Open (NO)

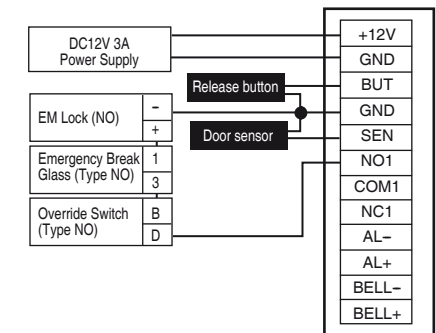
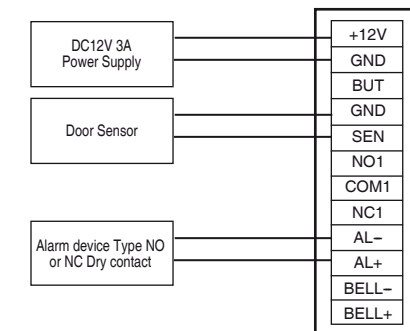


Diagram 3 • Other Accessories



### Door Lock Connectors

The terminal will trigger the alarm output (NO or NC) for the following situations:

- Door forced open (a door sensor must first be installed)
- Door open time out (a door sensor must first be installed)
- Terminal has been illegally dismantled

WIRING PORT	USAGE
NO	<b>Dry Contact</b> (Independent power supply for door lock) • NO type door lock (NO-COM) • NC type door lock (NC-COM)
NC	<b>Power Contact</b> (Using power from terminal to power on door lock) • NO type door lock (NO-GND) • NC type door lock (NC-GND)
COM	<b>Dry Contact</b> (Independent power supply for door lock) • NO type door lock (NO-COM) • NC type door lock (NC-COM)  <b>Power contact</b> (Using power from terminal to power on door lock) • COM1 - +12V
SEN	Door Sensor (SEN-GND)
GND	Release Button (BUT-GND)
BUT	
AL+	Alarm System
AL-	NO or NC Type – Check in Advance Options

