

Life Gets Exciting and Secured with metrics

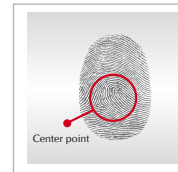
Live Keyless with R3 Door Access & Time Attendance System



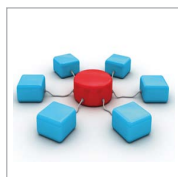
R3 is the latest biometrics door access and time attendance product from FingerTec, which combines modern technologies, great design and amazing functions in one. This machine features an eye-catching 2.4" color LCD and intuitive touch-panel; made robust to stand the wear and tear of everyday use. Multiple methods of verification which include fingerprint, card and password are available in R3, providing convenience at its best to busy users. The product comes bundled with Ingress, the perfect door access solution that is loaded with great door access features and comprehensive time attendance features, all without additional charges. With R3, life gets more exciting and secured with keyless door access solution for your life's convenience.



Multiple Verification Methods
From fingerprint to card and password verification, R3 provides the possibilities. Optimize your security threshold, with fingerprint verification as your primary enrolment form.



Precise Recognition with Biometrics
R3 utilizes minutiae matching technology that ensures only enrolled users are granted access, eradicating buddy punching scenarios.



Comprehensive Access Solution
Complement your R3 access control terminal with a R2c slave exit reader for a complete door-in and door out experience.



High Definition Color Display and Touch Panel
Combining vibrance and function in a single stroke, our 2.4" color LCD and touch panel is bound to please in terms of aesthetics and function.



Data Management Simplified
R3 is equipped with TCP/IP connectivity and when that is not available, a USB flash drive is available to transfer transaction logs into your computer.



TimeZone Enable
Secure your premise with timezone features by R3, providing you total control in your access needs. R3 has TimeZone, GroupTimeZone and Group Verify features at your disposal.



Built In Alarm
R3 allows installation of external alarm to your access system to alert you during emergencies and break-ins. Secure your premise with GroupTimeZone and Group Verify functions.



Free Firmware and Software Updates
Functions and features are constantly evolving through technological research and industrial needs, hence our software and firmware updates for our devices come complimentary.



WEB LINK

Product
<https://product.fingertec.com/userguide.php>

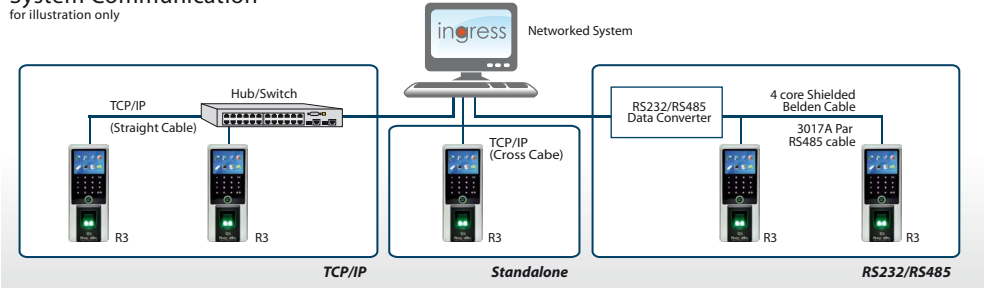
- Quick Start Guide
- Installation Guide
- User Guide
- Video Guide
- Technical Tips

Ingress Software
<https://product.fingertec.com/userguide.php>

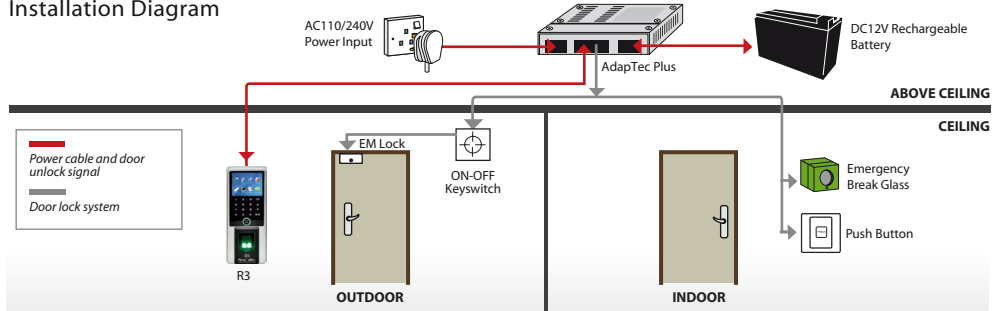
LAYOUT PLAN

System Communication

for illustration only



Installation Diagram



SPECIFICATIONS

MODEL	R3
SURFACE FINISHING	In-mould labelling (IML), poly carbonate (PC) & acrylonitrile butadiene styrene (ABS)
TYPE OF SCANNER	Non coated optical scanner
MICROPROCESSOR	400 MHz
MEMORY	256 MB flash memory & 32MB SDRAM
ALGORITHM	Biobridge VX 10.0
PUSH TECHNOLOGY	Yes
DIMENSION (L X W X H), mm	78 x 32 x 190
Fingerprint templates	3000
Cards	10000
Transactions	100000
ENROLLMENT & VERIFICATION	
Methods	Fingerprint (1:1, 1:N), card & password
Recommended fingerprint per user ID	2
Fingerprint placement	Any angle
Verification time (sec)	< 1
FAR (%)	< 0.001
FRR (%)	< 1
CARD TECHNOLOGY	
RFID: 64-bit, 125kHz	Yes
MIFARE: MFIS50/S70, 13.56MHz	Made to order
COMMUNICATIONS	
Method	TCP/IP, RS232, RS485, USB disk
Baud rates	9600, 19200, 38400, 57600, 115200
Wiegand	26-bit input / output
OPERATING ENVIRONMENT	
Temperature (°C)	0 ~ 45
Humidity (%)	20 ~ 80
Power input	DC 12V 3A
TIME ATTENDANCE	
Work codes	Yes
MULTIMEDIA	
Greeting voice	Yes
Display	2.4" 3k color LCD
Photo ID	Yes
Short messaging	Yes
ACCESS CONTROL	
EM-Lock Driving Output	DC12V 3A / relay output
Alarm output	NO/NC
Antipassback	Yes
VOICE / DISPLAY LANGUAGE (TERMINAL)	English (Standard), Arabic, Chinese (Simplified/Traditional), Indonesian, Portuguese (Portugal), Spanish. Other languages are available upon request.
SOFTWARE LANGUAGE	English (Standard), Arabic, Bulgarian, Chinese (Simplified/Traditional), French, German, Hindi, Indonesian, Kurdish, Malay, Persian, Portuguese, Russian, Spanish, Thai, Vietnamese



Packaging

Dimension (mm) : 225 (L) x 72 (W) x 168 (H)
 Weight : 0.86 kg

NOTE: Specifications are subject to change. Check <http://product.fingertec.com> for latest product information.

Authorized Reseller:



timeTec

www.timeteccloud.com
 TimeTec © 2021, All Rights Reserved