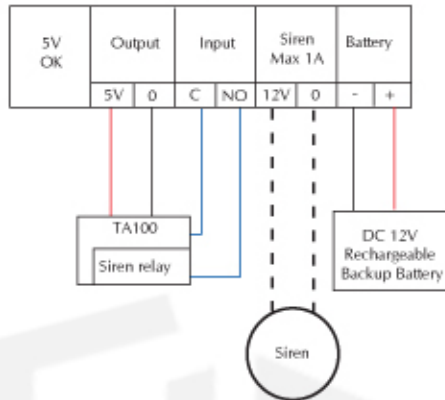


### SIREN FUNCTION

AdapTec TA is integrated to support scheduled siren function. You can connect a bell with DC12V max 1A to an AdapTec TA.

TA100 series is equipped with 10 scheduled bell functions. You can preset the scheduled bell inside TA100 series by connecting from TA100 series siren relay to the AdapTec TA.

#### Power Output Module



**STEP 1**

Remove the L-shape piece from the AdapTec TA

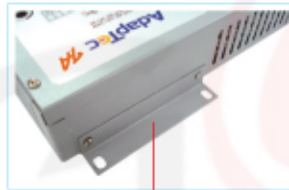


Find an L-shape piece at the top right of an AdapTec TA. This piece is attached to the AdapTec TA by 2 screws.

After removing the piece, you will have one L-shape piece and 2 screws.

**STEP 2**

Install the piece to the AdapTec TA



Attach the L-shape to the AdapTec TA as shown and tighten the screws.

**STEP 3**

The other 2 holes at the bottom



Open the cap, look for the part shown in the diagram and you will see 2 holes.

**STEP 4**

Mount the AdapTec TA on a wall



Identify a location to mount the AdapTec TA on a wall. Fix the AdapTec TA onto the wall by tighten the screws into the 4 holes.

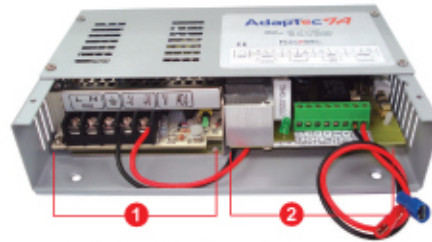


**AdapTec TA**  
Installer Manual



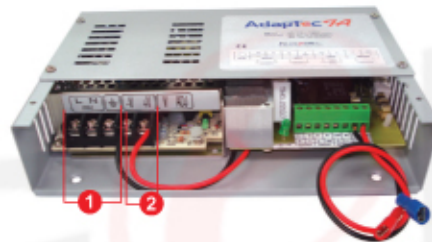


## THE DESIGN



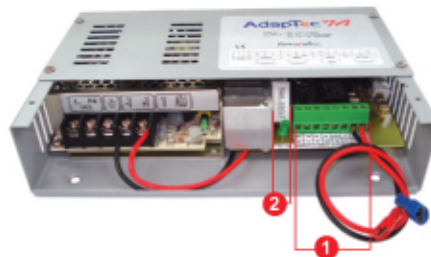
1. Power supply/Power input module
2. Power output module

## POWER SUPPLY/POWER INPUT MODULE



1. This portion will be connected to power source with AC 110~240V. AC current will be supplied into this portion and a DC 12V 3A current will be generated as output.
2. These 2 cables, -V and +V are default and connected to the inner part of AdapTec TA. Please do not remove or change these cables.

## POWER OUTPUT MODULE



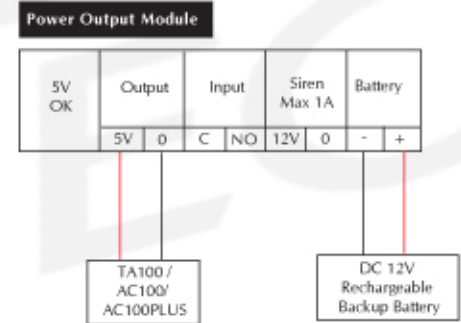
1. These are the power outputs from the AdapTec TA. FingerTec® reader and siren will use these outputs. Please refer to the wiring diagram for more details
2. This LED is an indicator to show the output is available. Please return the unit if the LED does not light up after it is powered on.



## FINGERTEC® TA100 / AC100 / AC100PLUS SERIES WITH ADAPTEC TA

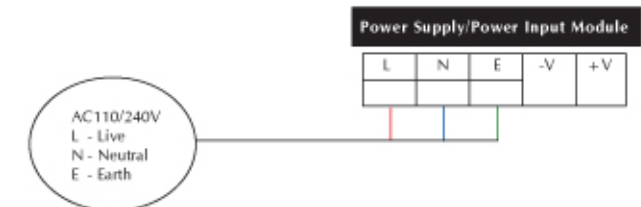
### Step 1

Connect AdapTec TA to TA100 / AC100 / AC100PLUS



### Step 2

Connect AdapTec TA to a power source



Now you can turn on the power source and start to use TA100 / AC100 / AC100PLUS for time attendance.

AdapTec TA is a power supply specially designed for FingerTec® readers for time and attendance system which include TA100 series, AC100 series, and AC100Plus series (which require DC 5V 1A). The AdapTec TA is intended to ease installation, to provide power supply and to provide longer standby time during power failure, supported by a DC12V rechargeable battery. AdapTec TA is compatible with all DC12V rechargeable batteries in the market. AdapTec TA consists of a power supply or a power input module as well as a power output module. AdapTec TA also connects to other devices, which require similar power requirement of DC 5V 1A. (Note: Kindly seek FingerTec's confirmation on device specifications via email to [info@fingertec.com](mailto:info@fingertec.com))

## FUNCTIONS

a.	To support FingerTec® readers that are dedicated to Time Attendance
b.	To support rechargeable backup battery (compatible with any DC12V Rechargeable Backup battery) and to act as backup power supply during power failure
c.	To support DC12V Siren, maximum 1A. (For TA100 series only)

## Specifications

Dimension (mm)	: 198 (L) x 123 (W) x 430 (H)
Weight	: ~ 900g
Input voltage	: AC 110 / 240 V (universal input)
Output voltage	: DC 5V 1A and DC12V 1A
Siren support	: DC12V, max 1A