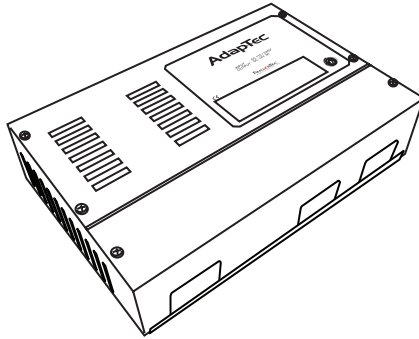


AdapTec AC

Installer Guide

AdapTec AC



AdapTec is a combination of a power supply and a door controller packaged in a compact box to ease on installation, to provide power supply and to enhance access control functionalities.

FUNCTIONS

- To power on the time attendance system of FingerTec® terminals.
- To link door accessories including EM Lock and Drop Bolt with the FingerTec® terminals.
- To control In-Out reader system; a system where two terminals control one entrance.
- To support rechargeable backup battery (compatible with any 12V rechargeable backup battery) and to act as a backup power supply in the event of power failure.
- To integrate with siren feature of the reader to alert user when terminals is illegally dismantled.

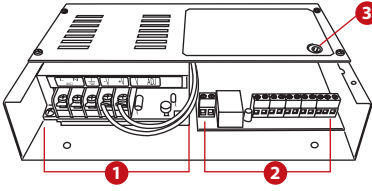
Note: AdapTec is compatible with NC type of siren with maximum 0.5A load.

SPECIFICATIONS

Dimension (mm)	198 (L) x 131 (W) x 43 (H)
Weight	920g
Input Voltage	AC 110 / 240 V (universal input)
Output Voltage	DC 12V 3A
EM Output	DC 12V 3A
Siren Output	Max 0.5A, NC type

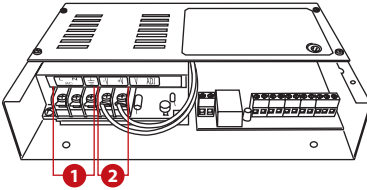
THE DESIGN

AdapTec consists of 2 main modules and a timer:



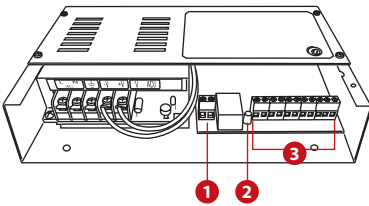
- 1 Power supply/power input module.
- 2 Access control/power output module.
- 3 Door lock timer.

POWER SUPPLY/POWER INPUT MODULE



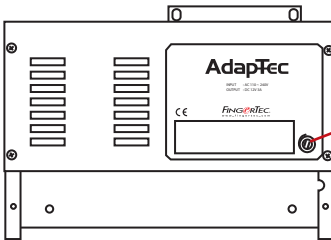
- 1 This portion is to be connected to power source with AC110~240V. AC current will be supplied into this side and a DC 12V 3A current will be generated as output.
- 2 These two cables, -V and +V are default and connected to the inner part of AdapTec. Please do not remove or change these cables.

ACCESS CONTROL/POWER OUTPUT MODULE



- 1 Connect push button here if siren is installed during installation. A press on the push button will turn off siren when the siren is triggered.
- 2 AdapTec may have broken and needs to be repaired.
- 3 These are the power outputs from AdapTec. Refer to the wiring diagrams in page 3, for details.

DOOR LOCK TIMER



- This is a Door Lock Timer
- ↻ Lengthen timing
 - ↺ Shorten timing

User can adjust the timing for the EM Lock and Drop Bolt to close after opening using door lock timer. Turn the timer using a screwdriver, turning clockwise will lengthen the time, turning anti-clockwise will shorten the time.

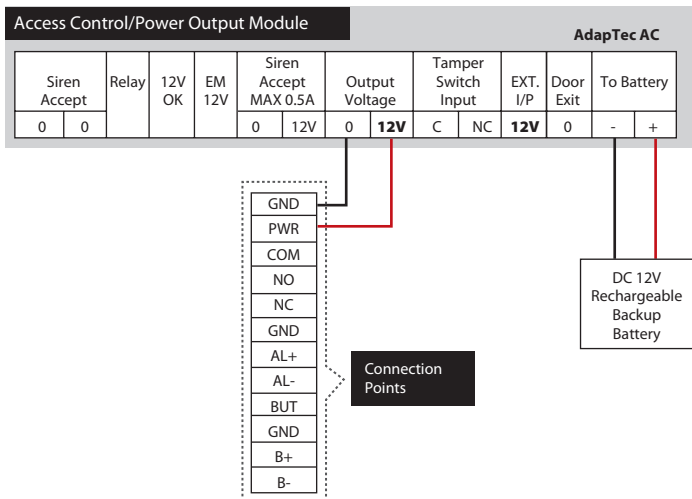
Note: AdapTec can be connected to other devices, which are having the same power consumption. Please seek FingerTec's advice through info@fingertec.com before using AdapTec with other FingerTec® models.

WIRING DIAGRAMS

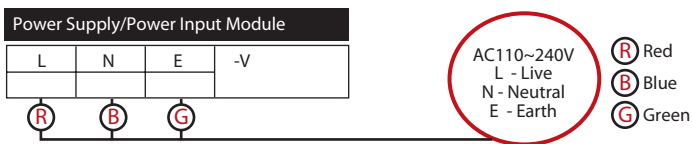
AC900

TIME ATTENDANCE ONLY

STEP 1 • Connection Points



STEP 2 • Connect AdapTec AC to a Power Source



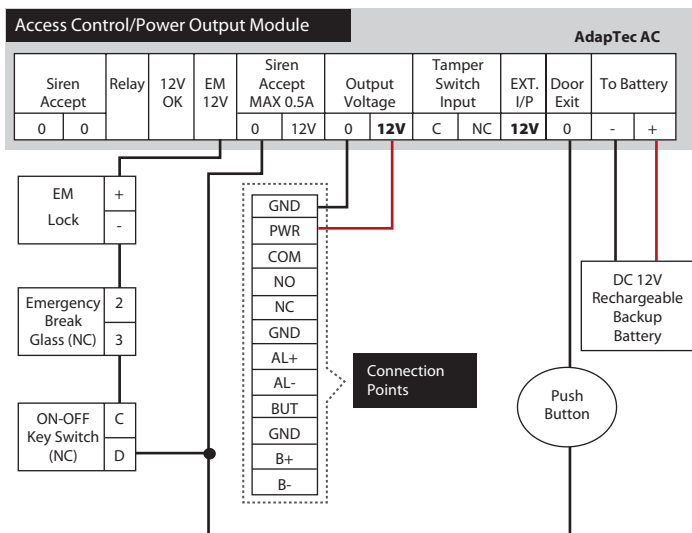
STEP 3 • Turn on the power to use the model for time attendance only.

WIRING DIAGRAMS

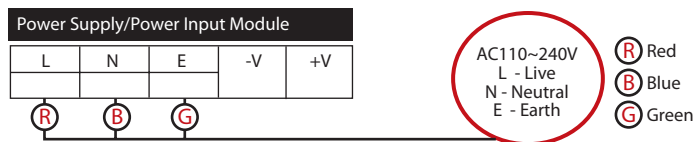
AC900

ACCESS CONTROL ONLY OR TIME ATTENDANCE & DOOR ACCESS

STEP 1 • Connection Points



STEP 2 • Connect AdapTec AC to a Power Source



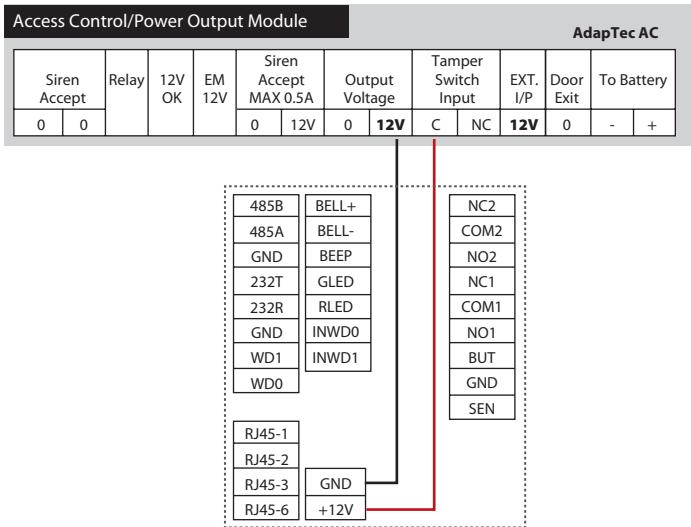
STEP 3 • Turn on the power to use the AC900 for door access control only or for time attendance and door access control simultaneously

WIRING DIAGRAMS

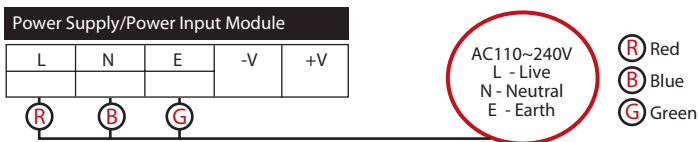
R2/M2, i-Kiosk100, i-Kiosk100 Plus, Q2i and Kadex

TIME ATTENDANCE ONLY

STEP 1 • Connection Points



STEP 2 • Connect AdapTec AC to a Power Source



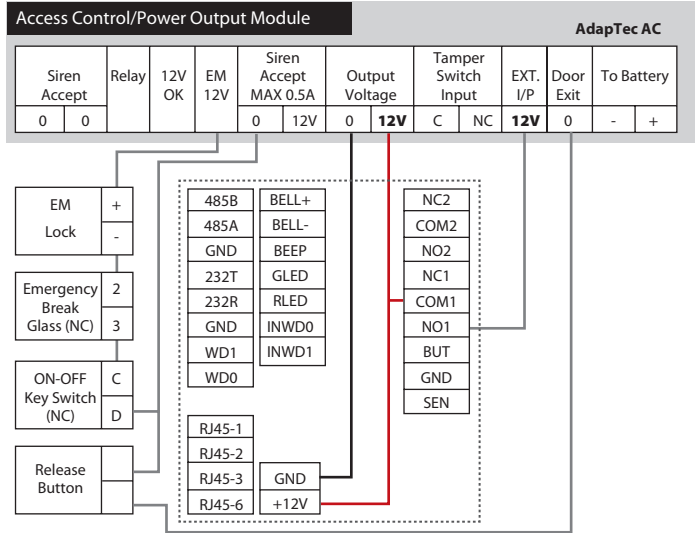
STEP 3 • Now you can turn on the power source and using the system for time attendance purpose only.

WIRING DIAGRAMS

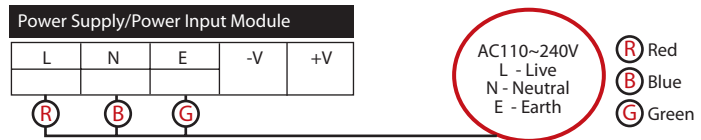
R2/M2, i-Kiosk100, i-Kiosk100 Plus, Q2i and Kadex

ACCESS CONTROL ONLY OR TIME ATTENDANCE & DOOR ACCESS

STEP 1 • Connection Points



STEP 2 • Connect AdapTec AC to a Power Source



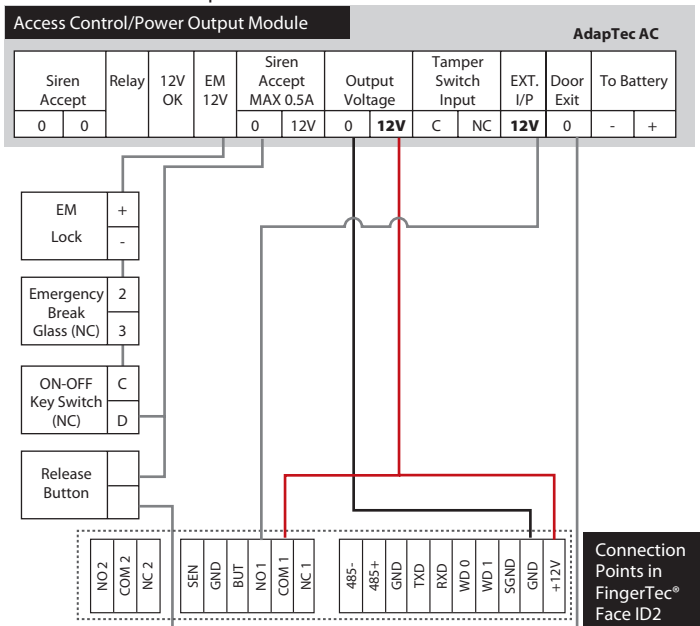
STEP 3 • Turn on the power to use the model for door access control only or for time attendance and door access control simultaneously.

WIRING DIAGRAMS

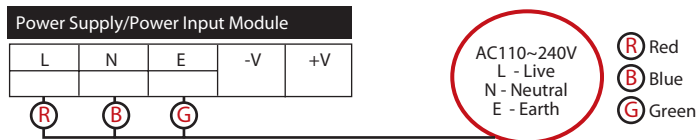
Face ID 2

ACCESS CONTROL ONLY OR TIME ATTENDANCE & DOOR ACCESS

STEP 1 • Connection points



STEP 2 • Connect AdapTec AC to a power source



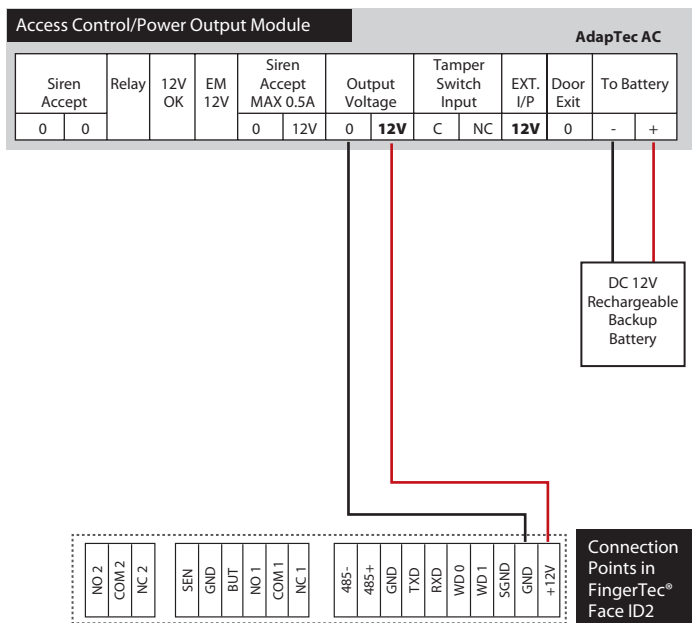
STEP 3 • Turn on the power to use FingerTec® Face ID 2 for door access control only or for time attendance and door access control simultaneously.

WIRING DIAGRAMS

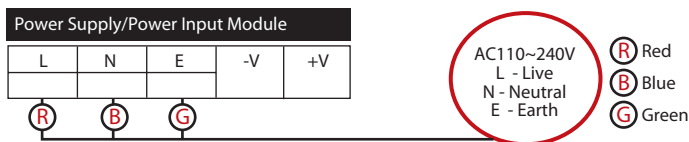
Face ID 2

TIME ATTENDANCE ONLY

STEP 1 • Connection points

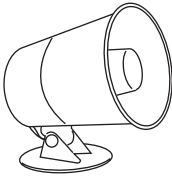


STEP 2 • Connect AdapTec AC to a power source



STEP 3 • Turn on the power to use FingerTec® Face ID 2 for time attendance.

AN ALARM SIREN TO SECURE YOUR FINGERTEC® TERMINAL



For all FingerTec® door access control models, there is a security spring behind the terminal. During normal operation, the security spring is compressed and once the reader is dismantled, the spring will be released and “System broken” message will appear onscreen. During the release of the spring, the reader is outputting alarm signal. Nonetheless, no alarm sound is emitted because the reader is not equipped with pre-installed siren.

To use the siren feature, we recommend you to install an additional alarm siren and connect it to FingerTec® terminals.

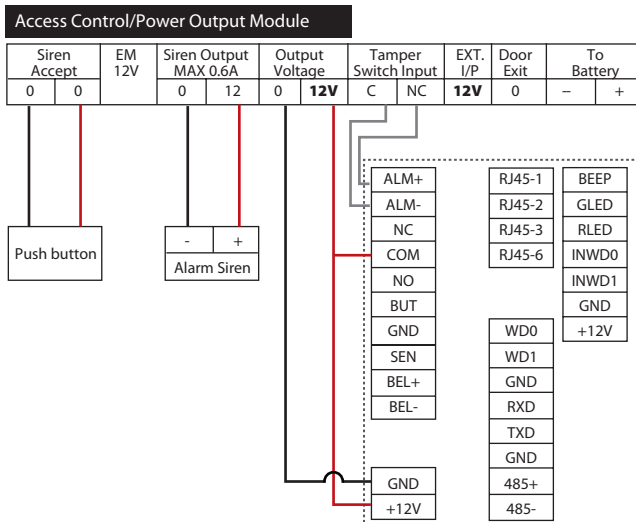
BENEFITS OF USING ADAPTEC AC WITH ALARM SIREN

We recommend you to install terminal using AdapTec AC if you plan to use alarm siren. In AdapTec AC, an additional port is readily built to receive alarm signal from FingerTec® terminals. AdapTec AC is outputting DC12V and it is suitable to use with alarm siren that is having the same power input. You do not need to source additional DC12V power supply for this purpose. Furthermore, AdapTec AC provides a “Siren Accept” button where you can press the button to deactivate alarm siren when required.

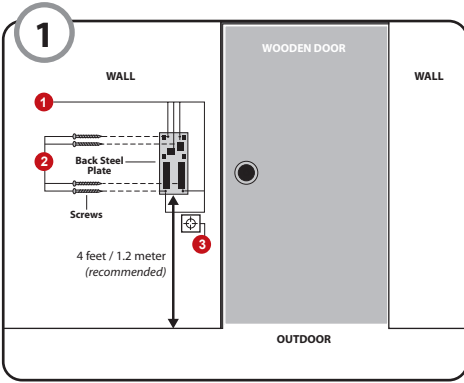
FUNCTION • R2/M2, i-Kiosk100, i-Kiosk100 Plus, Q2i and Kadex

Connect the terminal, alarm siren and AdapTec AC as below. Kindly set the jumper at the back of the terminal to support alarm signal type NC.

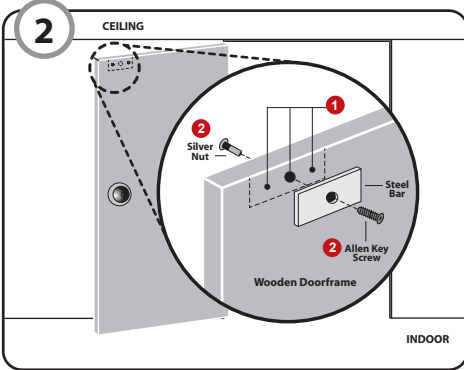
STEP 1 • Wiring Diagram



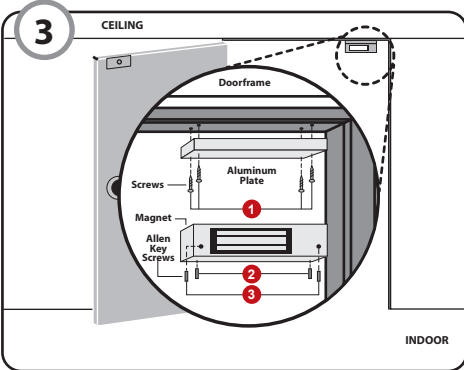
INSTALLATION • *Wooden Door*



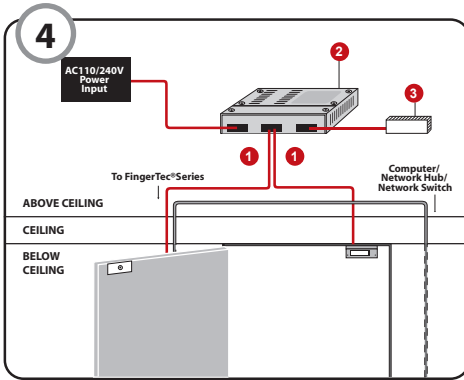
- 1 To install FingerTec® AC900/M2/R2 on a wall, drill 5 holes as shown. 4 small holes are for the screws and the bigger hole is for the network cable.
- 2 Tighten the 4 screws to fix the Back Plate on the wall.
- 3 Install the keyswitch as per instructions given in the box. The keyswitch is an override key in case of system failure or breakdown.



- 1 Drill 3 holes on the wooden door.
- 2 Place Steel Bar on the door. Insert the Silver Nut on one side and Allen Key Screw on the other side. Tighten the screw to lock the Steel Bar onto its position.



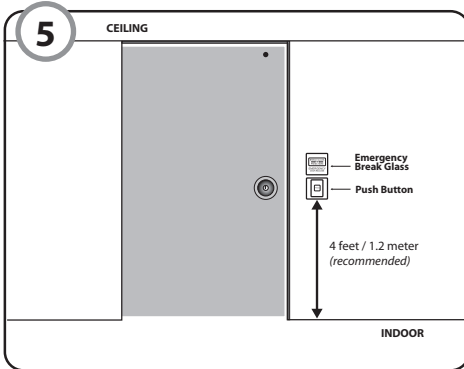
- 1 Drill 4 holes on the wooden frame. Tighten the 4 screws to fix the Aluminum Plate properly on the doorframe.
- 2 Use Allen Key to tighten the 2 screws at the bottom of the Magnet. The Magnet will stick to the Aluminum Plate when the screws are tightened.
- 3 Use Allen Key to tighten the other 2 screws on the sides of the Magnet.



- 1 12V 3A DC Power Output
- 2 AdapTec AC
- 3 12V Rechargeable Battery

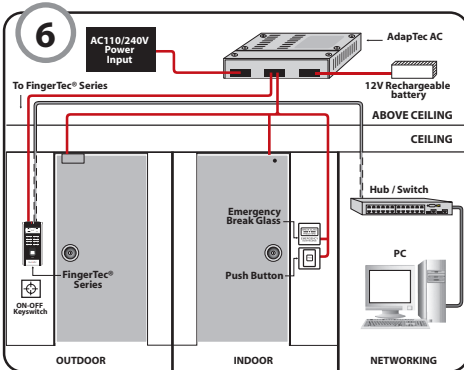
Note: Refer to AdapTec user guide for wiring diagrams.

Note: It is recommended to place 1, 2 and 3 out of sight, either above a ceiling or wall-mounted.



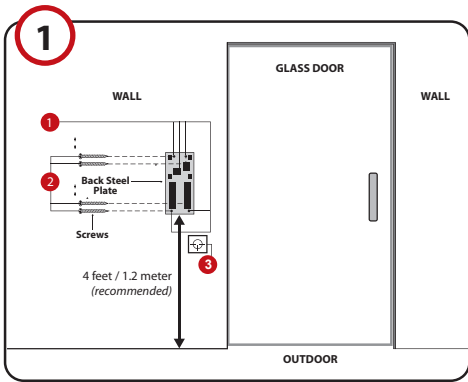
Emergency Break Glass and Push Button should be installed indoor. These two items are for user to open the door from inside.

Note: Please conceal the wiring.

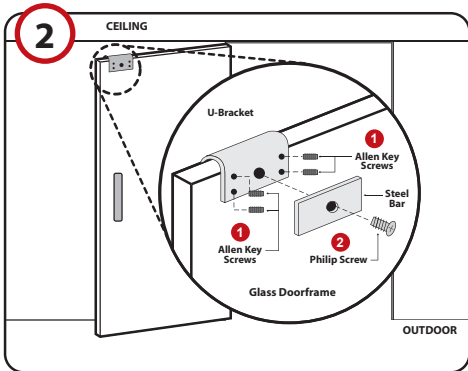


OVERVIEW OF THE WHOLE SYSTEM INSTALLATION

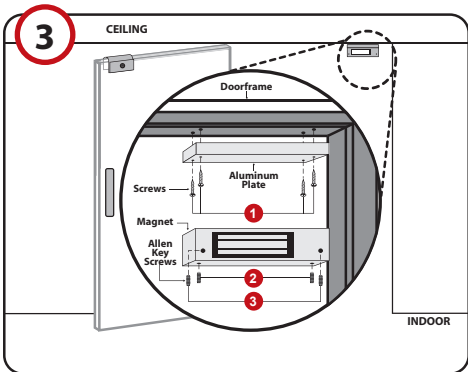
INSTALLATION • *Glass Door*



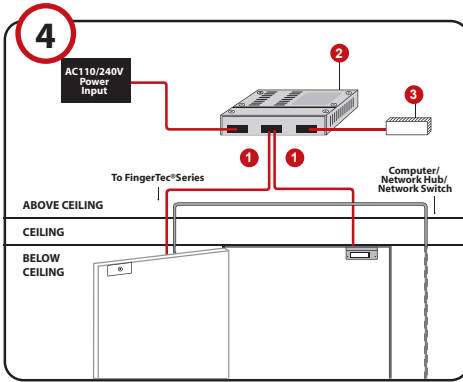
- 1 To install FingerTec® model on the wall, drill 5 holes as shown. 4 small holes are for the screws and the bigger hole is for the network cable.
- 2 Tighten the 4 screws to fix the **Back Plate** on the wall.
- 3 Install the keyswitch as per instructions given in the box. The keyswitch is an override key in case of system failure or breakdown.



- 1 Lodge the **U-Bracket** into the upper edge of the glass doorframe. Tighten the 4 **Allen Screws** to hold the **U-Bracket** into position.
- 2 Place the **Steel Bar** on the side of the **U-Bracket**. Tighten the **Philip Screw** to lock the **Steel Bar** onto position.

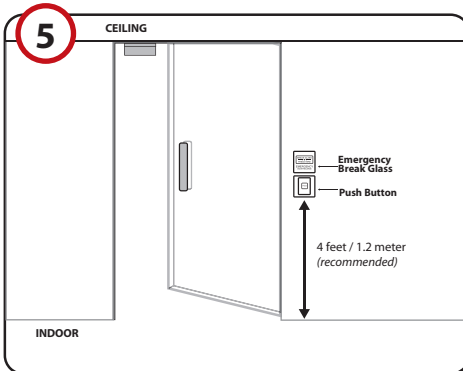


- 1 Drill 4 holes on the door-frame. Tighten the 4 screws to fix the **Aluminum Plate** properly on the doorframe.
- 2 Use Allen Key to tighten the 2 screws at the bottom of the **Magnet**. The **Magnet** will stick to the **Aluminum Plate** when the screws are tightened.
- 3 Use Allen Key to tighten the other 2 screws on the sides of the **Magnet**.



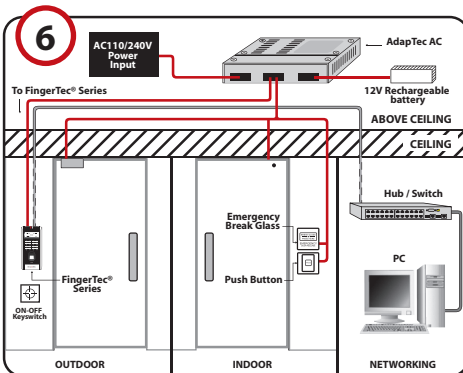
- 1** 12V 3A DC Power Output
- 2** AdapTec AC
Note: Refer to AdapTec user guide for wiring diagrams.
- 3** 12V Rechargeable Battery

*Note: It is recommended to place **1**, **2** and **3** out of sight, either above a ceiling or wall-mounted.*



Emergency Break Glass and Push Button should be installed indoor. These two items are for user to open the door from inside.

Note: Please conceal the wiring.

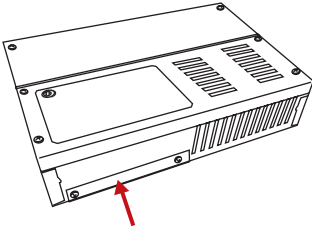


OVERVIEW OF THE WHOLE SYSTEM INSTALLATION

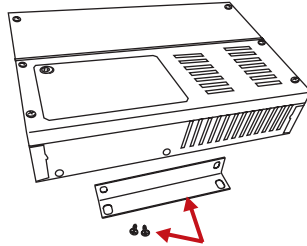
INSTALLATION

How to mount an AdapTec AC onto a wall

1 Remove the L-shape piece from the AdapTec AC

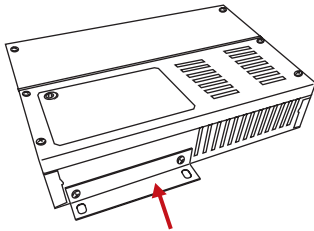


Find an L-shape piece at the top right of an AdapTec AC. This piece is attached to the AdapTec AC by 2 screws.



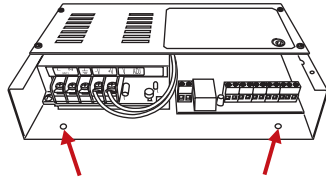
After removing the piece, you will have one L-shape piece and 2 screws.

2 Install the piece to the AdapTec AC



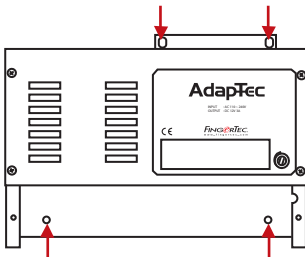
Attach the L-shape to the AdapTec AC as shown and tighten the screws.

3 The other 2 holes at the bottom



Open the cap, look for the part shown in the diagram and you will see 2 holes.

4 Mount the AdapTec AC on a wall



Identify a location to mount the AdapTec AC on a wall.

Fix the AdapTec AC onto the wall by tightening the screws into the 4 holes.