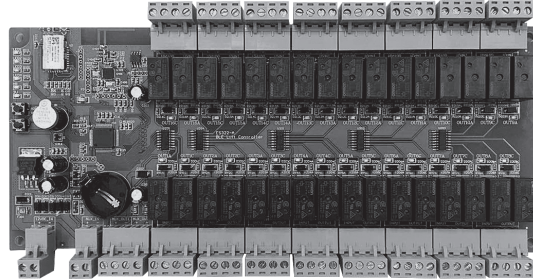


TimeTec BLE-16 Smart Lift Controller



Installation Guide

©2018 Timetec Cloud Sdn Bhd. All rights reserved • 062018 **CE FC**

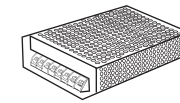
STEP • 1
Determine where you want to install TimeTec BLE-16

RECOMMENDATIONS:

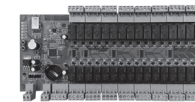
- Install the device inside a lift car, near to the floor button controller to minimize the need of extra wiring.
- Install an on/off switch to turn off the power supply to the device. Power off to bypass the device, and the floor access function will be back to default operation, where user can press button at the lift button panel to access its desired floors.
- For a building with more than 16 floors, the installation requires more than one BLE16 relay boards. For example, a building with 30 floors will need 2 units of BLE 16 relay boards, where the first relay board will control access from Floor 1 to Floor 16, and the second relay board will control the access from Floor 17 onwards until Floor 30.

STEP • 2
Make sure that you have all the required accessories for the installation

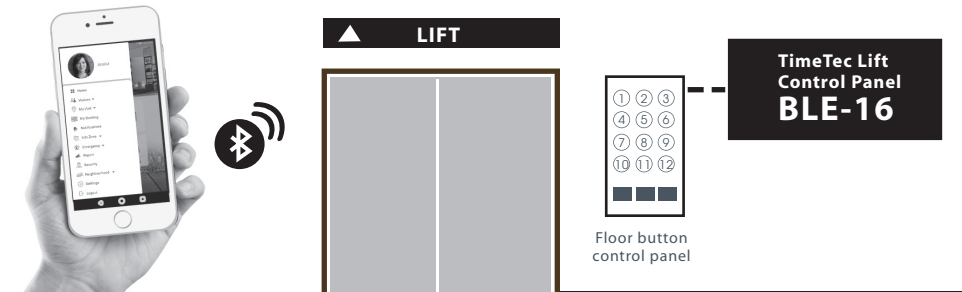
Below is a list of accessories that are necessary to install TimeTec BLE-16



PW12V Switching Power Supply
AC/DC switching power supply to keep the battery charged during daily operation and also allows it to function during a power failure as well.



TimeTec BLE-16

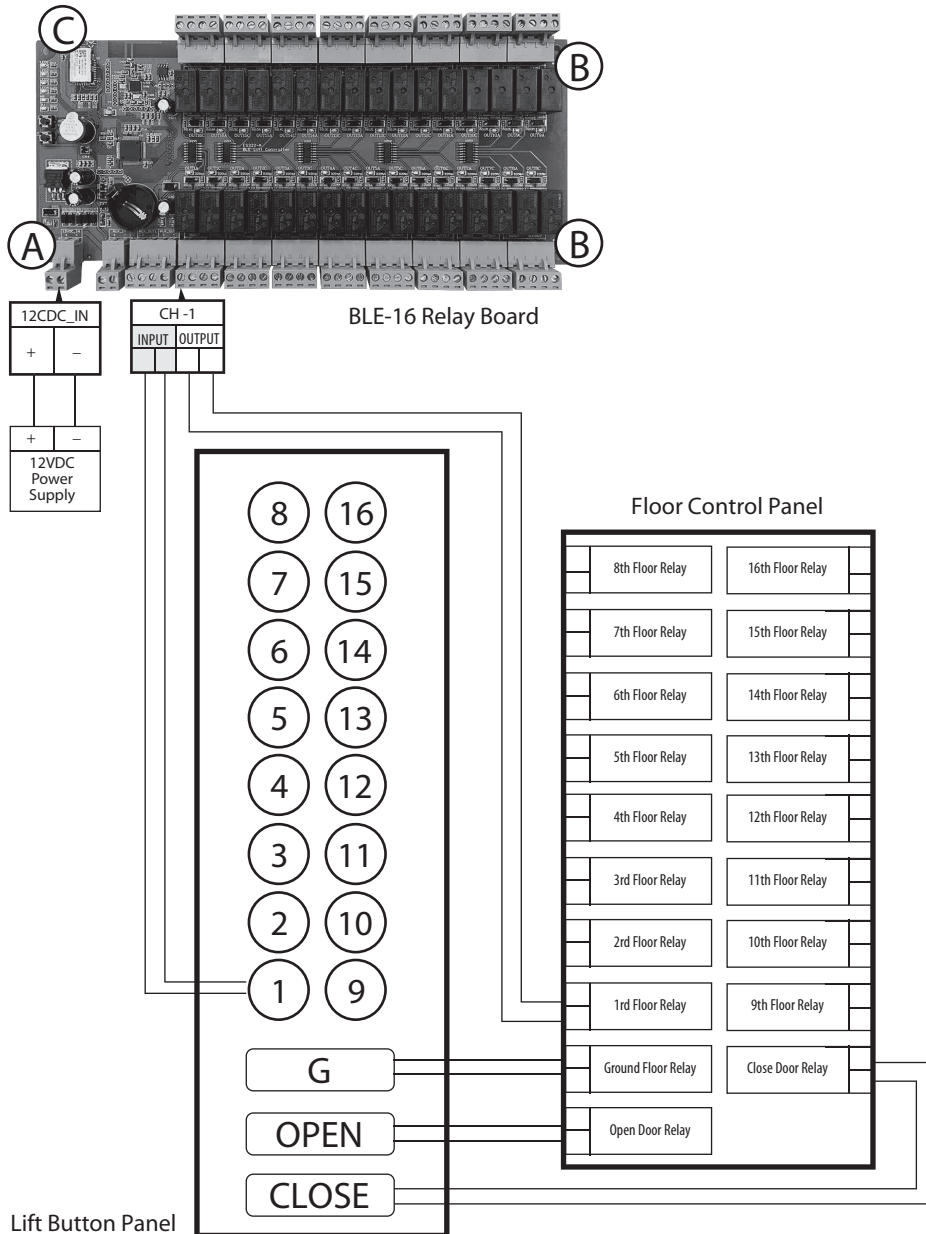


The User Guide for TimeTec Security App can be obtained in the App or in our website at www.timetecsecurity.com



STEP • 3 Get ready to install

Follow the diagram below to wire up TimeTec BLE - 16 to lift button controller and its accessories



FUNCTIONS

- (A) The power input port. Use 12V DC 3A power supply to power up the BLE-16.
- (B) The input and output slots to connect to the lift button panel and the floor control panel. Each channel is for one floor only.
Input to connect to individual button at the lift button panel.
Output to connect to the individual relay at the floor control panel.
- (C) The Bluetooth receptor to receive command from mobile app and Bluetooth cards.

STEP

- 1) Connect the 12V DC 3A power source to the power input port of TimeTec BLE-16. DO NOT
- 2) SWITCH ON the power until all the wiring work is done.
- 3) Connect relay output of button 1 (from Lift button panel) to BLE-16 CH-1 relay input port.
Connect CH-1 relay output (from BLE-16) to 1st Floor Relay in Floor Control Panel. Repeat step 2 and 3 for all buttons and floors. We recommend that you keep all buttons for Ground floor, open lift door and close door, to connect directly to the Floor control panel.
- 4) Turn on the power to the lift car and all components.
- 5) Sign in to TimeTec Security mobile app to complete the setup.

STEP • 4 Checking the progress of installation

FIRST CHECK

- The Bluetooth chipset (mark 1) is lit up and blinking.
- The LED of each input/output is lit up

SECOND CHECK

- Install TimeTec Security mobile app and scan the TimeTec BLE - 16 serial number under Add Access section.

If any of the above is not working as expected please check the wiring or contact support@timetecloud.com for advise.

This guide is prepared in English language, for other languages, please refer to the website.

Register for product warranty in TimeTec Security App.

