

## TimeTec BLE-2 Barrier Gate/Turnstile

# Installation Guide

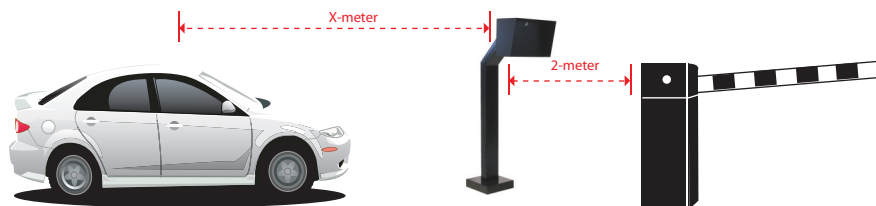


© 2018 Timetec Cloud Sdn Bhd. All rights reserved • 082018

**STEP • 1**  
Determine  
where you  
want to install  
TimeTec  
BLE-2

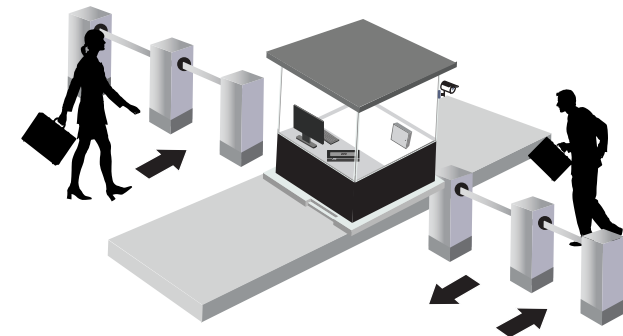
### RECOMMENDATIONS: BARRIER GATE

- Install TimeTec BLE-2 inside a PVC/plastic enclosure and on a gooseneck pole.
- Protect wires from TimeTec BLE-2 to the barrier gate via concealed piping.
- A single TimeTec BLE-2 can control a maximum of two barrier gates simultaneously but only when the gates are operating in the same direction. If there are two barrier gates that are facing different directions, you will need to utilize two TimeTec BLE-2 instead.



### TURNSTILE

- A single TimeTec BLE-2 can control one turnstile at a time even if the turnstile operates in two different directions.
- Install TimeTec BLE-2 inside a turnstile housing together with the turnstile controller in order to minimise the need for extra wiring.
- Place the correct QR code at the turnstile to indicate the movement directions (in or out). A single TimeTec BLE-2 can control both in and out direction, thus there will be 2 different QR codes stickers to be placed on both directions.
- If a second TimeTec BLE-2 is installed to control the in or out movement, please place the respective QR code (in/out) to each turnstile.



**STEP • 2**  
Make sure that you have all the required accessories for the installation

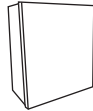
Below is a list of accessories that are necessary to install TimeTec BLE-2

- A working barrier gate/turnstile that is already installed at the site.
- TimeTec BLE-2.



**Gooseneck Pole**

A metal stand to install and hold the PVC/plastic enclosure (installs with TimeTec BLE-2).



**PVC/Plastic Enclosure**

A PVC/plastic enclosure used to install and protect TimeTec BLE-2. This enclosure should then be installed at the gooseneck pole.

- To install TimeTec BLE-2 into the turnstile housing, you do not need to use an additional power supply, as you can share the power supply from the turnstile controller. You also do not need to use the DIY metal casing since the turnstile housing provides the same protection for TimeTec BLE-2.

**STEP • 4**  
Inspect the progress of the installation

**PRIMARY INSPECTION**

**TimeTec BLE-2 Connectivity**

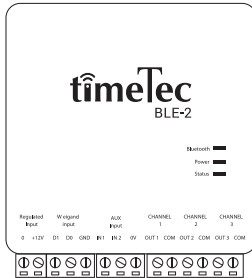
- Check TimeTec BLE-2 LED status.
- Check whether the Bluetooth LED is activated.
- Check whether the Power LED is activated.
- Check whether the Status LED is blinking.

**SECONDARY INSPECTION**

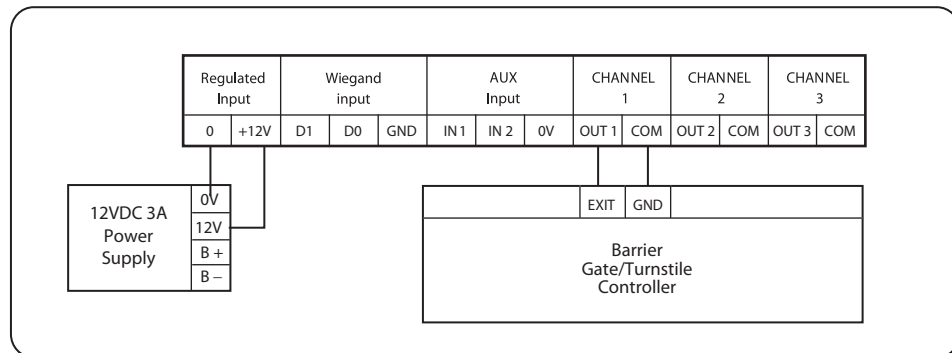
**Barrier Gate/Turnstile Operation and TimeTec Security Mobile App**

- Check whether the current barrier gate/turnstile is functioning (open, stop and close) by using the existing physical buttons.
- Login to TimeTec Security Mobile App; tap unlock, stop and close in order to ensure that the barrier gate/turnstile is functioning respectively.

**STEP • 3**  
Get ready to install



Follow the diagram below to setup TimeTec BLE-2 with the accessories and the barrier gate/turnstile controller.



If any of the above is not working as expected please check the wiring or contact [support@timeteccloud.com](mailto:support@timeteccloud.com) for advise.

This guide is prepared in the English language, for other languages, please refer to the website.

Register for product warranty in TimeTec Security App.

The User Guide for TimeTec Security App can be obtained in the App or in our website at [www.timetecsecurity.com](http://www.timetecsecurity.com)