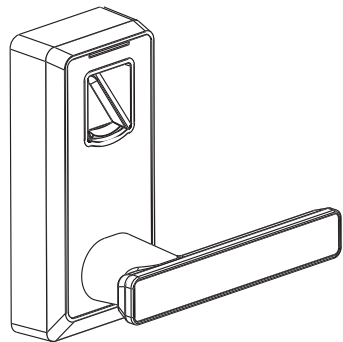


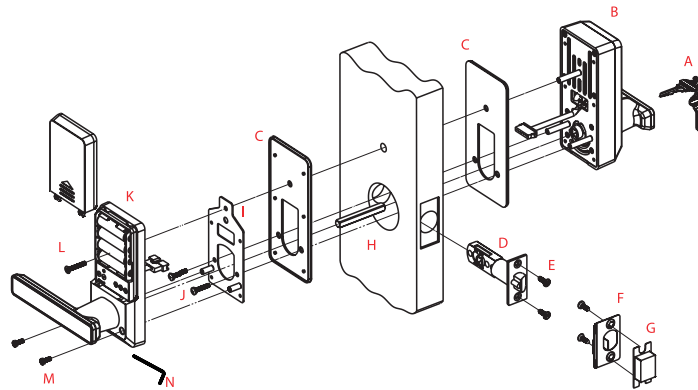
## Installation Guide



### ML-10B

Fingerprint Lock with Voice Guide Feature

### Before Installation (Diagram)



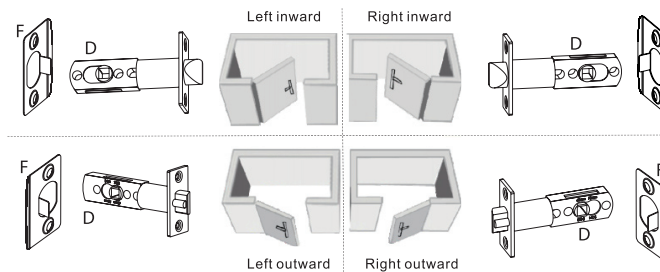
### Door Preparation

#### 1. Check the door thickness and prepare the corresponding mounting hardware package.

Door Thickness (mm)	H Spindle Length (mm)	J Screw Length (mm)	M Screw Length (mm)	L Screw Length (mm)
30~38	56	20	10	25
39~46	64	30	10	35
47~54	72	35	10	40
55~60	80	45	10	50

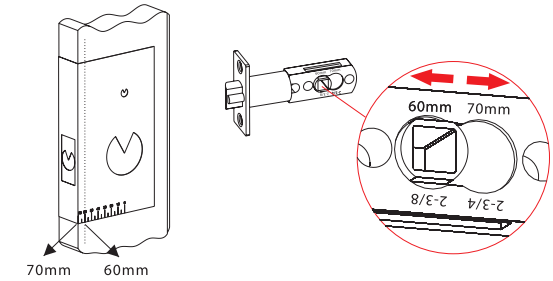
Note: The standard lock includes 2 mounting hardware packages only, which are used for the door thickness of 39-46mm and 47-54 mm separately.

#### 2. Check door opening direction.



Note: Please refer to the above picture to adjust the direction of strike plate F and latch D.

#### 3. Check the required backset (60mm or 70mm).



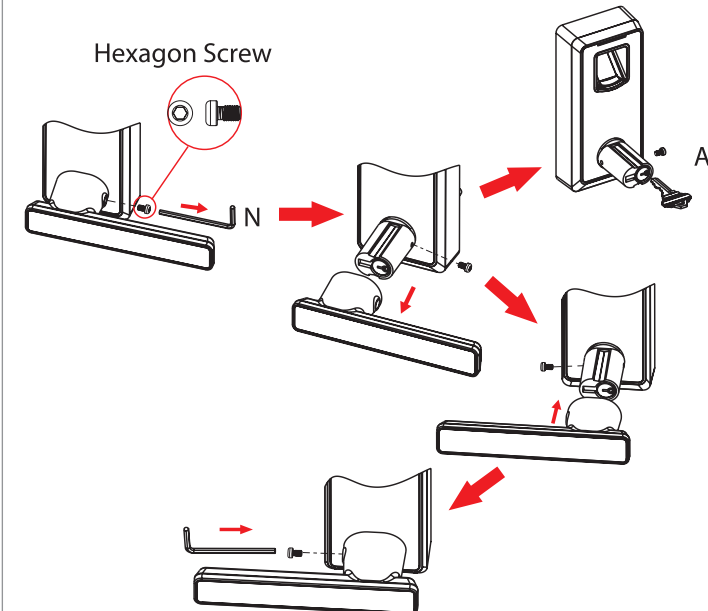
Note1: Installation template has the backset options of both 60mm and 70mm.

Note2: The latch has two backset options: 60mm and 70mm, please choose either one as required.

### Remarks

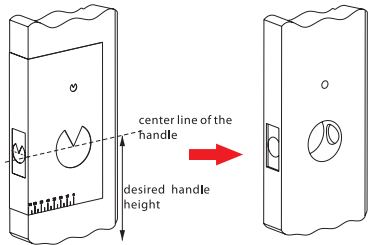
1. New lock is configured to grant any fingerprint access.
2. The lock is equipped with mechanical keys for manual unlocking. Remove mechanical keys from the package and keep them in a safe place.
3. To power up the lock, four alkaline AA batteries (not included) are required. Non-alkaline and rechargeable batteries are NOT recommended.
4. The operation of lock setting has a stand-by time limit of 10 seconds; if there is no any activity, the lock will shut off after 10 seconds.
5. Keep your fingers clean when using this lock.

### How To Use Mechanical Key And Change Handle Direction?



# Installation

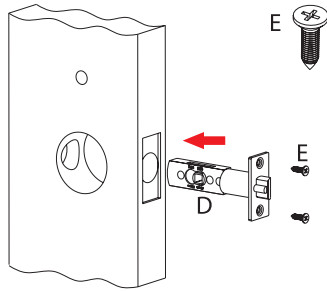
## 1. Drill holes on the door.



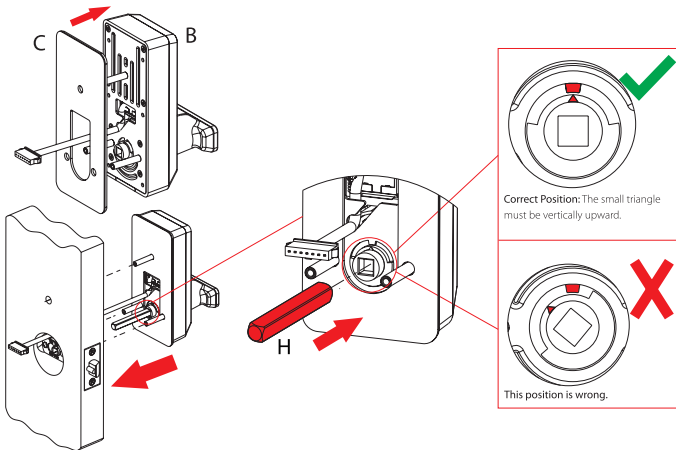
**Note 1:**  
Align the template along the vertical center line of the latch (D) at the desired handle height, and tape it to the door.

**Note 2:**  
Mark the holes first, and then start drilling.

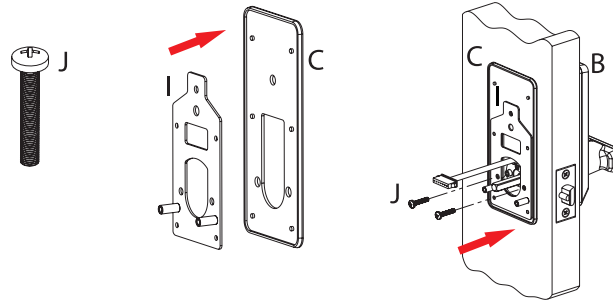
## 2. Install the latch (D).



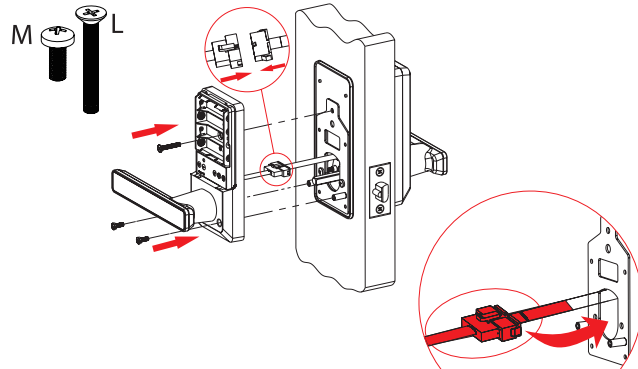
## 3. Install outdoor unit (B) with gasket (C) and spindle (H) on the door.



## 4. Install mounting plate (I) with gasket (C) on the door.

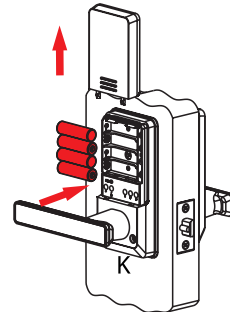


## 5. Install indoor unit (K).

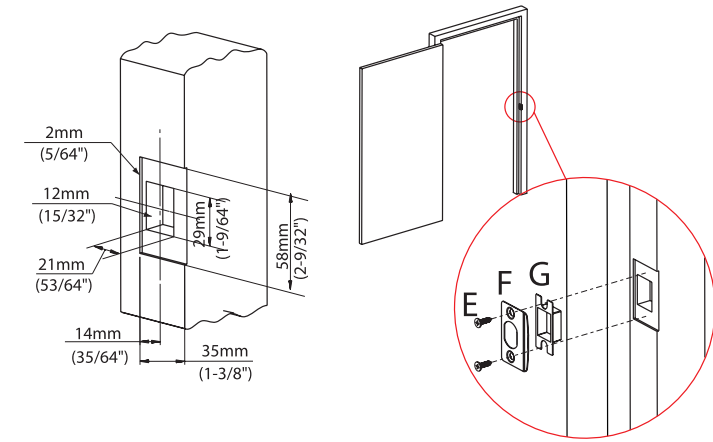


**Note:** Push cable into the hole first.

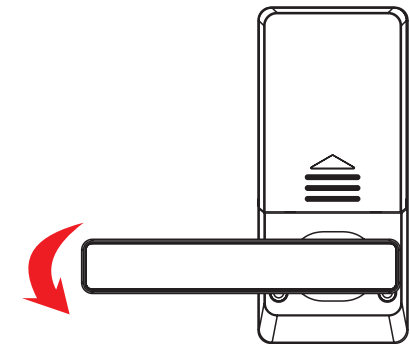
## 6. Insert batteries.



## 7. Mark and drill holes for the strike.



## 8. Test the lock by rotating the back handle and using the mechanical key (A).



**Note:** When the door is locked and the clutch is idle, the front handle can be turned, but the door will remain locked.