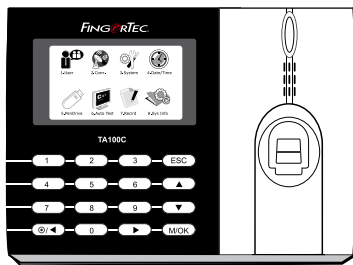


## Installation Guide



**TA100C Series**  
Fingerprint Color Multimedia for  
Time Attendance System

### Step 1 Determine the Location and Positioning of the Installation

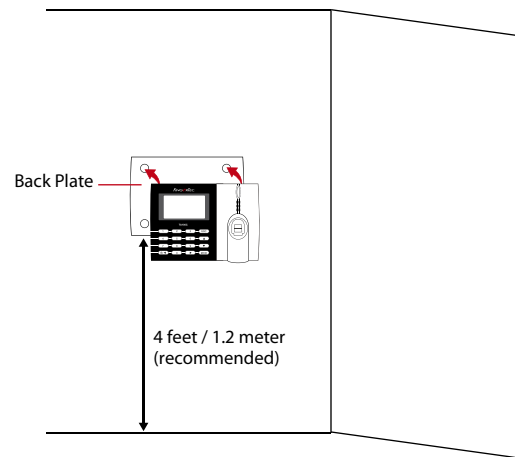
- Avoid installing the terminals in locations that has contact with a strong light source (e.g direct sunlight, spotlight, fluorescent light, etc)



- Avoid installing the terminals in locations with high moisture or condensation levels in the air
- The recommended installation height of the terminal from the ground is 1.2 meter.

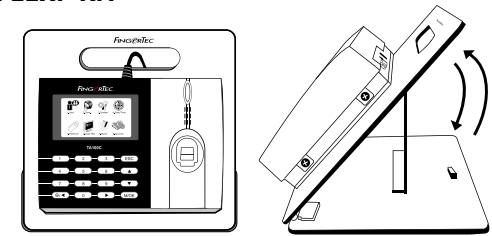
### Step 2 Mounting of Terminals

#### A. MOUNT ON WALL



- After determining the height of the terminal from the ground level and have made the relevant marks on the wall, drill the screws into the wall to secure the back plate.
- Attach the terminal to the back plate and tighten the screws. Refer to Appendix I for dimensions and measurements of installation.

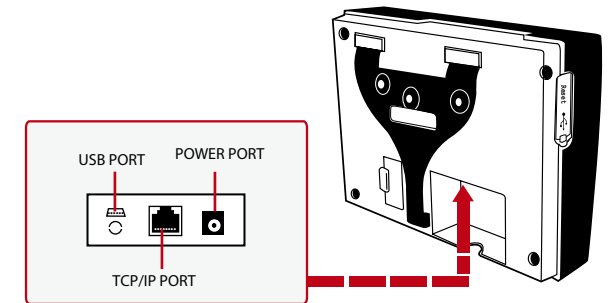
#### B. FLEXI- KIT



FingerTec offers flexi-kit for all its time attendance models. Attach the terminal on the flexi-kit for convenience.

### Step 3 Wiring for Power Supply

The power jack is positioned on top of the terminal, labeled Power Adapter Port in the below diagram.



Please use the power adaptor provided in the package or alternatively you can opt for a linear power supply with specifications of 5VDC 2A. Plug the one point of the power adapter to the terminal and the other end to the power outlet. Don't exceed the recommended voltage or current to avoid damaging the terminal.

### Step 4 Setting Up Data Communications

*(Skip this step if you are using USB flash disk to transfer data)*

#### TCP/IP – LAN Connection

For TCP/IP connection, plug the special RJ45 jack into the TCP/IP (LAN) Port of the terminal. Connect the other end (normal RJ45 jack) to the local area network hub or a PC. Configure the device ID, IP address, subnet mask and Gateway in the terminal (refer to the hardware user manual for details).

## Step 5 Finalizing the installation

1. Check that all cable connections are done correctly.
2. Attach the terminal to the corresponding back plates, tighten the screws to secure the terminal on the wall
3. Switch on the power to the terminal.
4. Start using the terminal.

## Other Accessories

### AdapTec TA



**Note:**  
All Accessories are offered at  
<http://accessory.fingertec.com>

The AdapTec TA is a 5VDC power supply inclusive of a 110~240VAC switching linear power. The AdapTec provides 5VDC power to the FingerTec terminal and charges a 12VDC 7.0Ah backup battery simultaneously. During an event of a power failure, the back up battery will automatically provides power to the terminal.

### Mini UPS



Mini UPS 5VDC is a mini portable backup power supply with 5VDC output, supplying 5VDC power for FingerTec Time Attendance terminals.

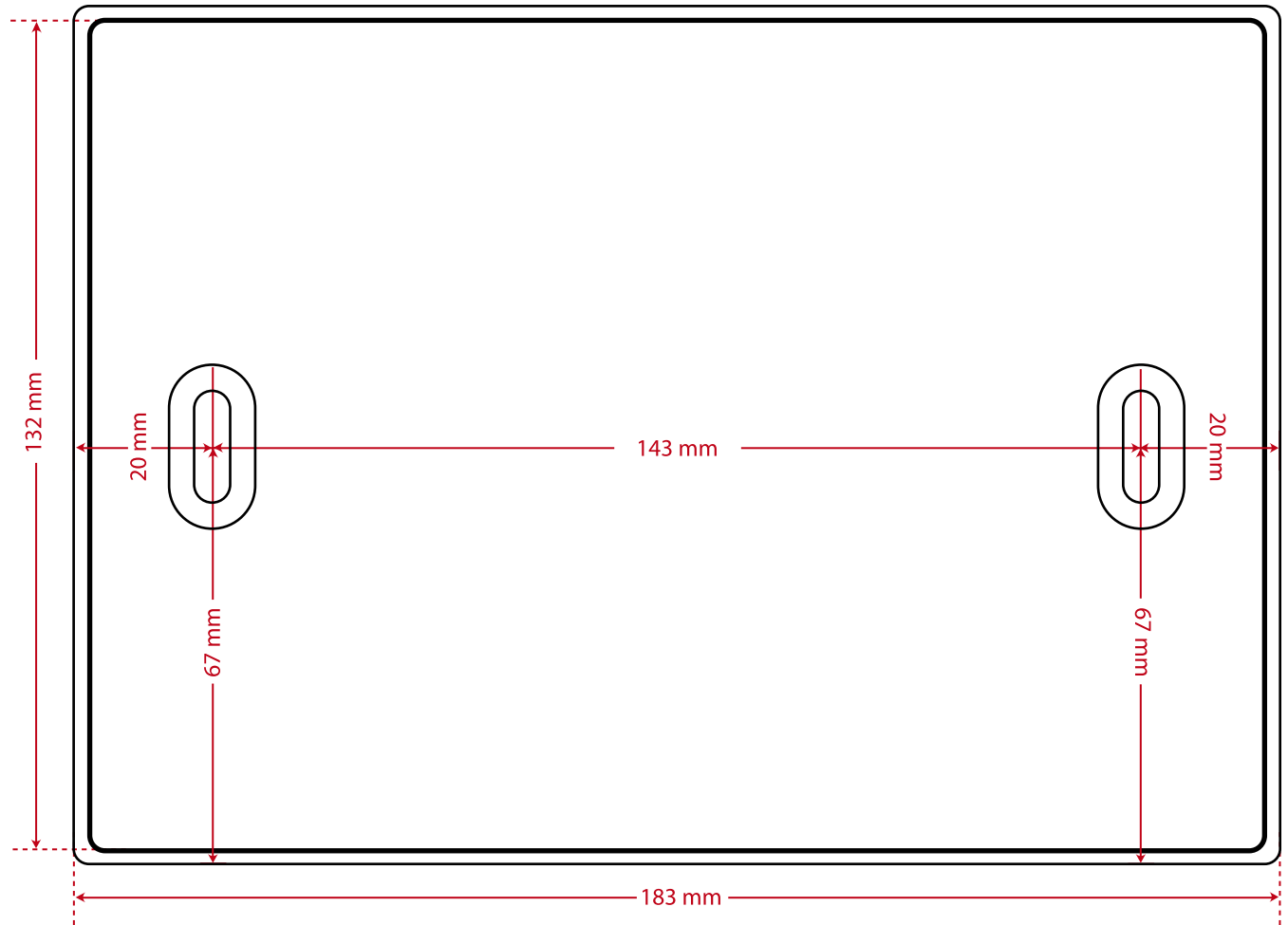
## Enclosures

FingerTec offers enclosures to protect the terminals from being meddled with by unauthorized persons.

## Flexi Kit

A foldable stand for FingerTec products, simplifies installation and presentable. (Example on Step 2, B.)

## Appendix I Terminal Dimensions and Measurements



Front View of TA100C Series