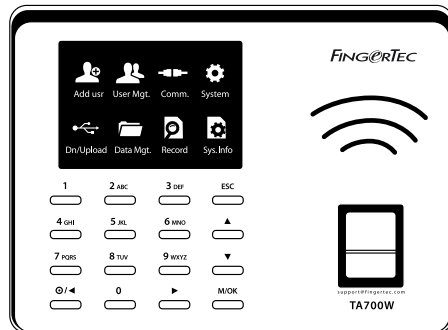


Installation Guide

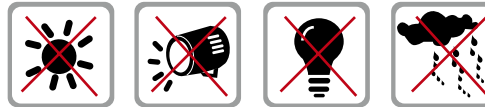


TA700W

Biometrics Time Attendance System

Step 1 Determine the Installation Location

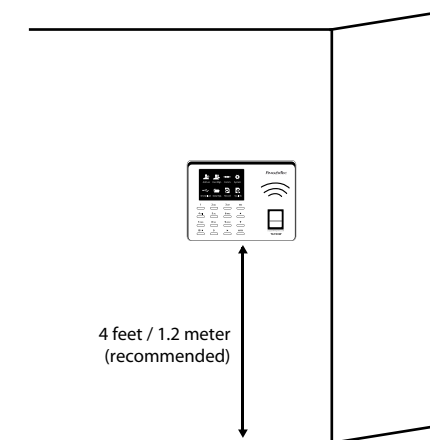
- Avoid installing the terminals in locations that have contact with strong light source (e.g direct sunlight, spotlight, fluorescent light, etc)



- Avoid installing the terminals in locations prone to high moisture or condensation levels in the air
- The recommended installation height of the terminals from the ground is 1.2 meter.

Step 2 Mount on a Wall

It is recommended that the terminals be mounted to a wall in to ease the process of enrolment and verification.

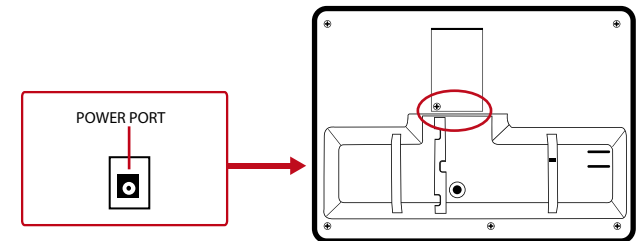


After measuring the height accordingly and make relevant marking on the wall, drill the screws into the wall to secure the back plate.

Attach the terminal to the back plate and tighten the screws. Refer to Appendix I (Installation Plate Type I), and Appendix II (Installation Plate Type II), for dimensions and measurements of installation.

TA700W is the only FingerTec terminal provided with 2 different installation plates, choose your preference.

Step 3 Wiring for Power Supply



Please use the power adaptor provided in the package or alternatively you can choose a linear power supply with specifications of 5VDC 2A.

Don't exceed the recommended voltage or current to avoid damaging the terminal.

Step 4 Finalizing the Installation

1. Check that all cable connections are done correctly.
2. Attach the terminal to the corresponding back plates and tighten the screws to secure the terminal on the wall.
3. Switch on the power to the terminal.
4. Start using the terminal.

Other Accessories

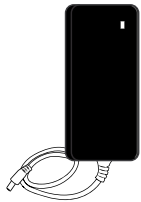
FingerTec offers complementing accessories which can be used with your terminals. These optional accessories are available at <http://accessory.fingertec.com>

AdapTec TA



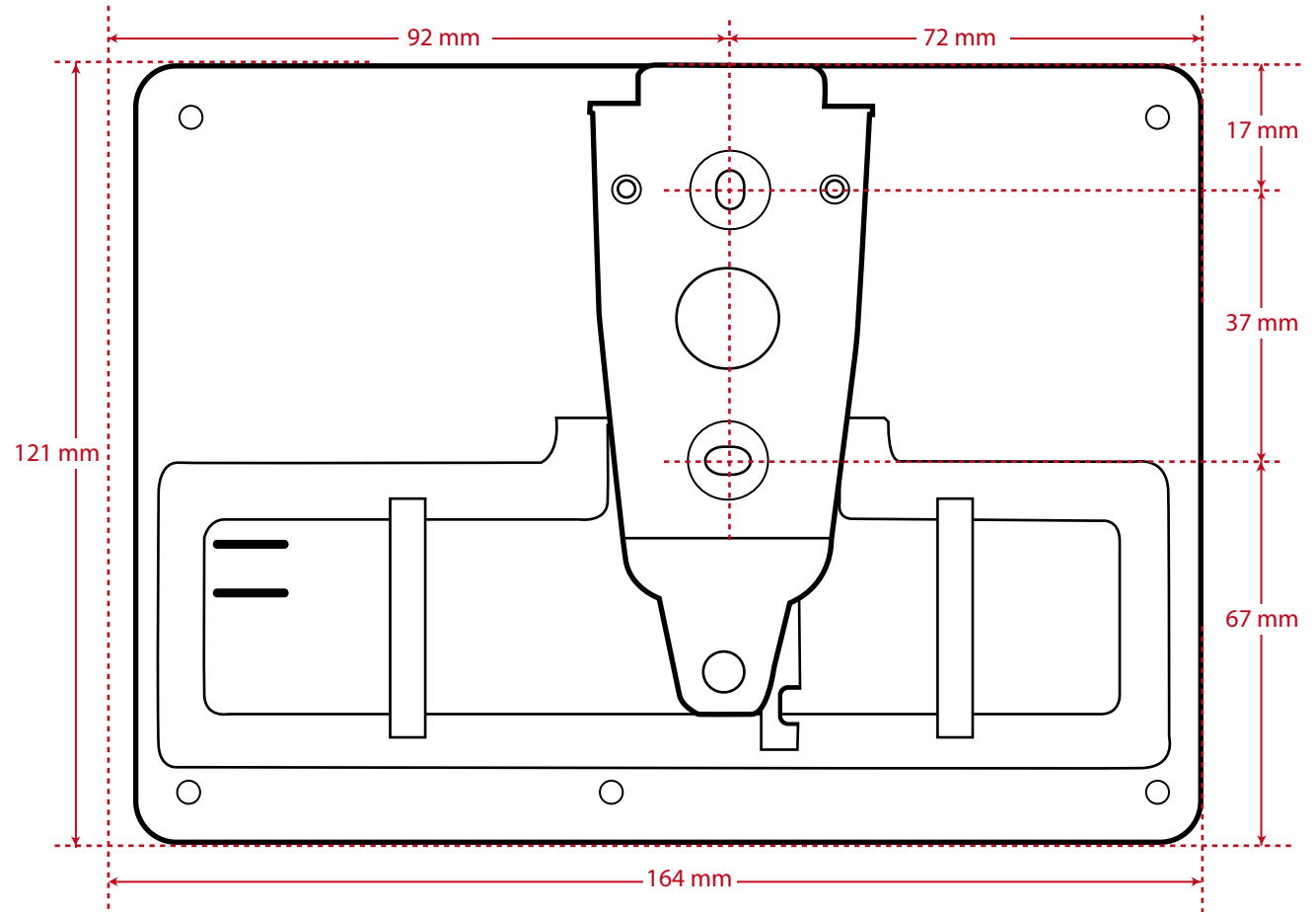
The AdapTec TA is a 5VDC power supply inclusive of a 110~240VAC switching linear power. The AdapTec provides 5VDC power to the FingerTec terminal and charges a 12VDC 7.0Ah backup battery simultaneously. During an event of a power failure, the backup battery will automatically provide power to the terminal.

Mini UPS



Mini UPS 5VDC is a mini portable backup power supply with 5VDC output, for FingerTec Time Attendance terminals.

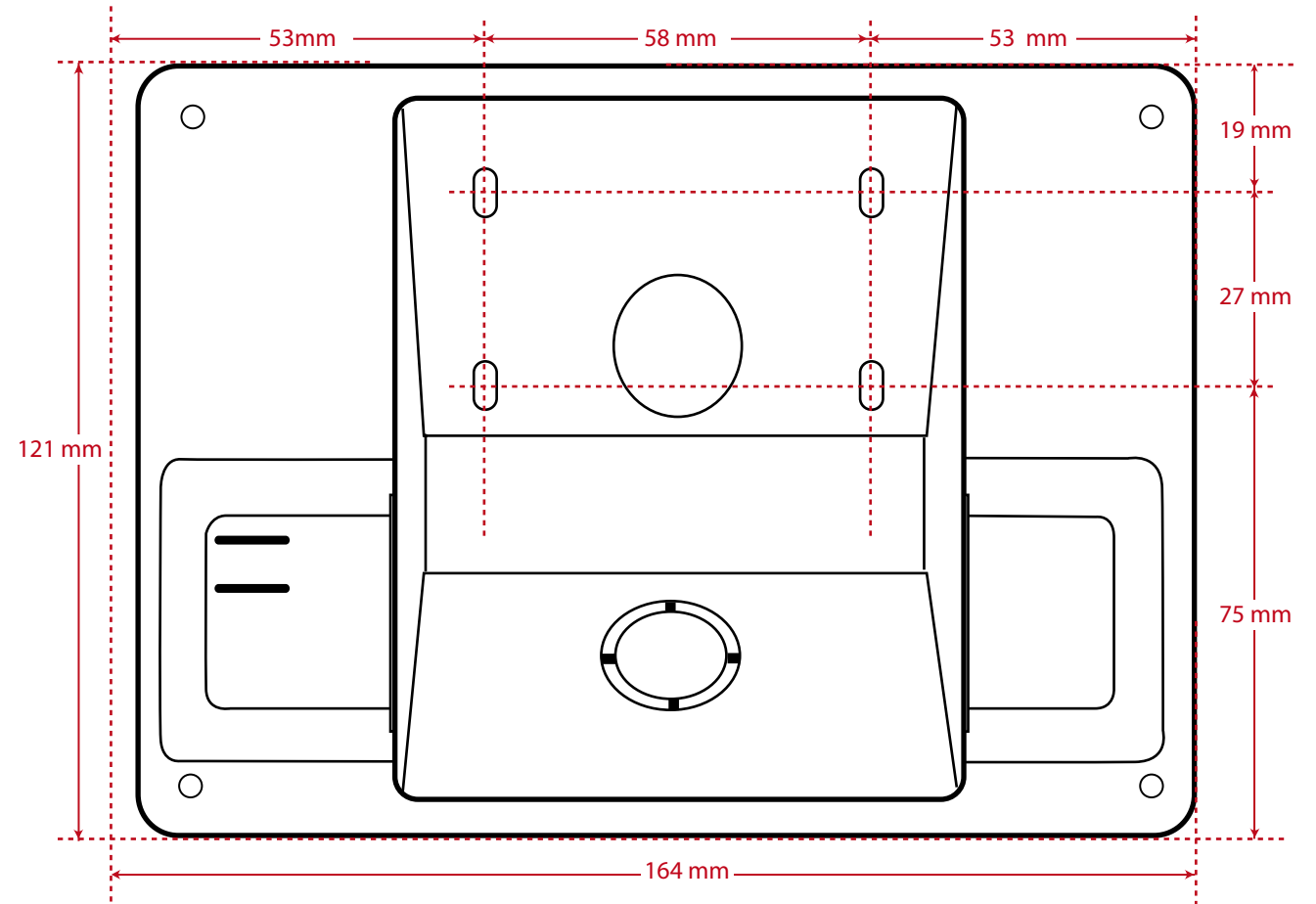
Appendix I Terminal Dimensions and Measurements



Front View of a Back Plate

Appendix II
Terminal Dimensions and Measurements

FINGERTEC



Front View of a Back Plate