



SMART SWITCH PANEL

SMARTLY LIGHT UP YOUR HOME/OFFICE

User Guide

PRODUCT BRIEF



The **TimeTec Smart Switch** can use its touch buttons to control the light, or control by i-TimeTec smartphone App after the smart home system is setup.

FEATURES

- ① Soft touch control button
- ② Beeper for operation
- ③ LED indicator
- ④ i-TimeTec Smartphone App control

TECHNICAL SPECIFICATION

Working voltage: AC 180V-250V 50Hz

Standby current: $\leq 4\text{mA}$

Working temperature: $-10 - 55^{\circ}\text{C}$

Working humidity: $\leq 90\%RH$

Communication distance: $\leq 100\text{M}$ (open environment)

Output for resistive load: $\leq 2000\text{W}$

Type of load: Fluorescent light $\leq 300\text{W}$

incandescent light $\leq 1500\text{W}$

low voltage halogen light $\leq 750\text{W}$

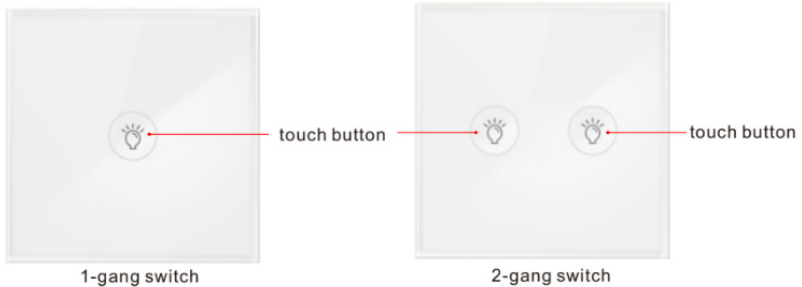
Dimension: 85mm x 85mm x 36mm

Installation: flush mount

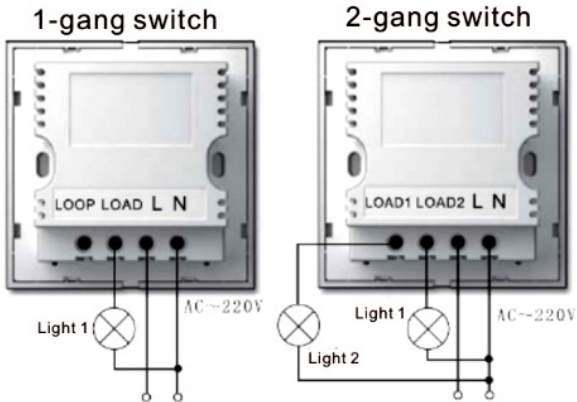
HOW TO USE

How to add the device to your smart home system?

- Log in to your i-TimeTec App account
- In the main menu, select Add Device, then scan the QR code of the switch (QR code is on the back and also on the PCB after remove the front panel).
- Add the switch to the smart gateway or smart camera
- Connect the switch to electricity wires, power it up so it will connect to the smart gateway by wireless.
- Touch the button to control the light, the beeper sounds
- The switch can also be controlled by the i-TimeTec smartphone App.

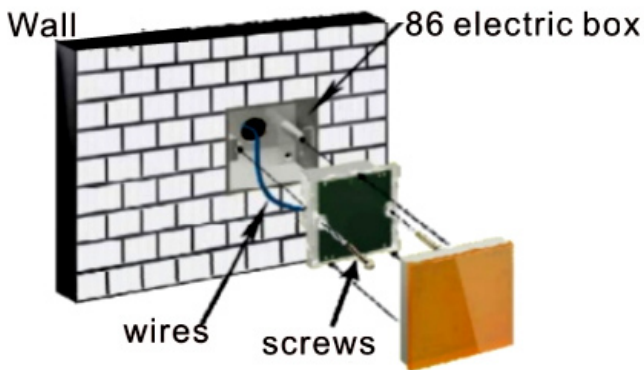


WIRING DIAGRAM



INSTALLATION

- Install the standard 86 electric box onto the wall
- Connect the electric wires to the switch correctly
- Fix the switch onto the 86 electric box with screws
- Fix the front panel onto the switch
- Finish the installation



TROUBLESHOOTING

If i-TimeTec Smartphone App control fail:

- Check whether the switch is already added to the TimeTec Smart Gateway
- Check whether the switch is already connect to the TimeTec Smart Gateway by wireless

IMPORTANT NOTICES

- The device shall be installed in a dry place without chemical corrosion.
- The device shall be installed in a place without high electromagnetic interference.
- Do not connect to the electricity supply during installation. Double check the wiring before power it up.
- Please contact service agent if the unit does not work properly

