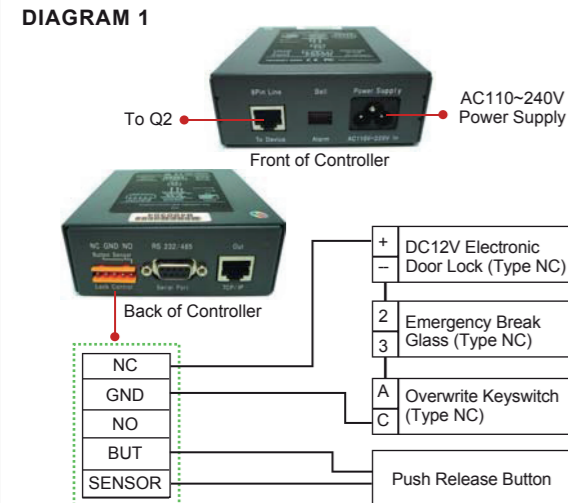


DOOR LOCK INSTALLATION

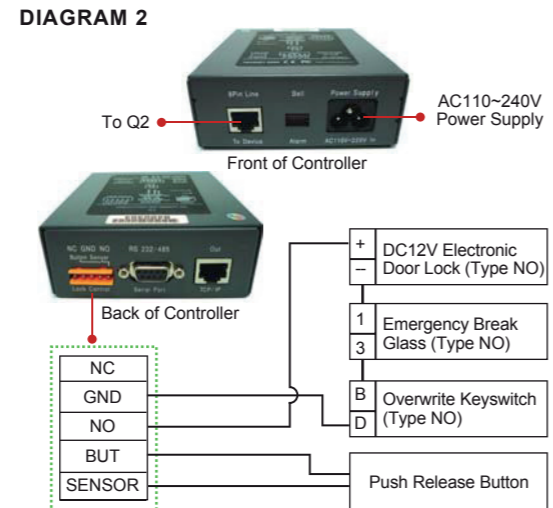


Model Q2

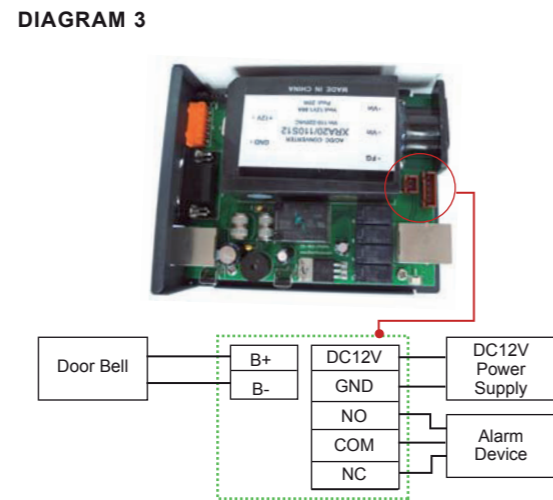
Door Lock Type NC • Normally Close



Door Lock Type NO • Normally Open



Other Accessories • Alarm, Doorbell

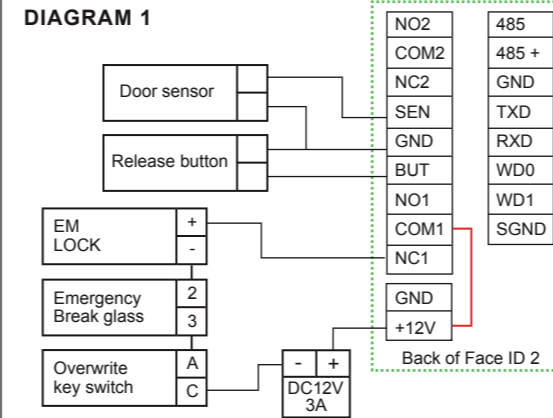


FACE ID 2 INSTALLATION

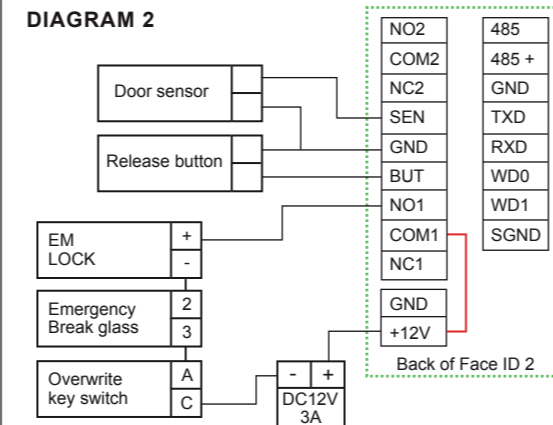
Face ID 2
2-in-1 Face & Fingerprint Recognition Terminal



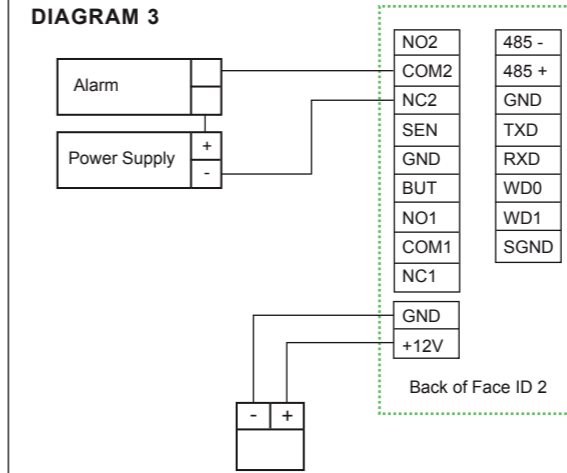
Door Lock Type NC



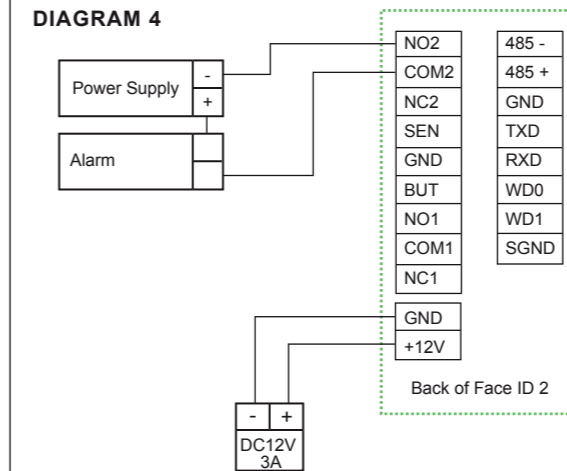
Door Lock Type NO



Alarm Output Type NC



Alarm Output Type NO



FINGERTEC



IMPORTANT:
READ CAREFULLY BEFORE DOING ANY INSTALLATION

1. Only qualified FingerTec installers are recommended to handle FingerTec® door lock products installations.
2. Kindly refer to the correct wiring diagram, as the diagrams vary according to models.
3. It is strongly recommended to use electronic door lock with DC12V. Please consult electronic door lock supplier if using different current or voltage.
4. Contact us at support@fingertec.com for assistance.

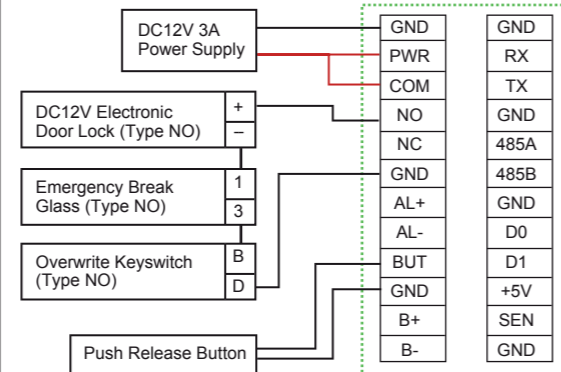
DOOR LOCK INSTALLATION



Model AC900

Door Lock Type NO • Normally Open

DIAGRAM 2



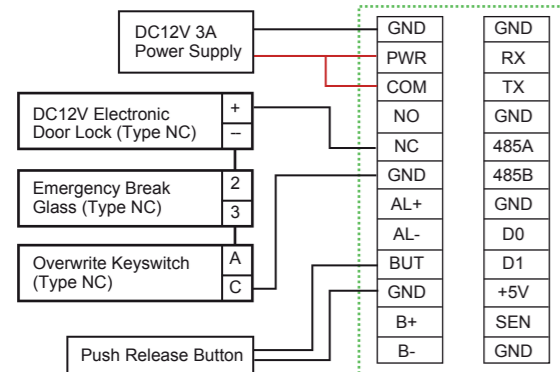
DOOR LOCK INSTALLATION

for Model Kadex / M2/R2 / i-Kiosk 100 / i-Kiosk 100 Plus / Q2i



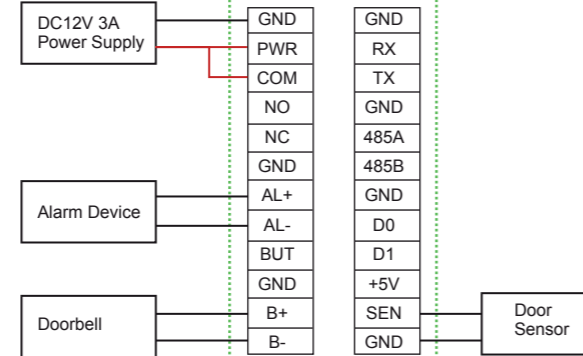
Door Lock Type NC • Normally Close

DIAGRAM 1



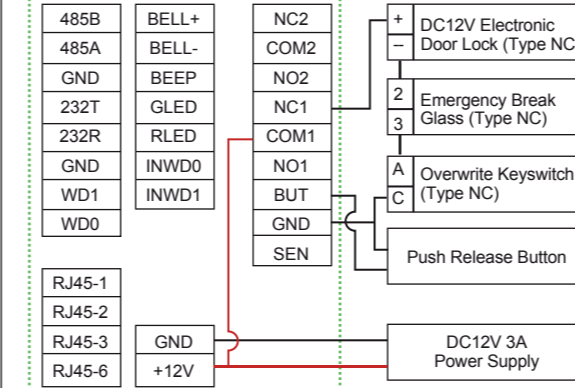
Other Accessories • Door Sensor, Alarm, Doorbell

DIAGRAM 3



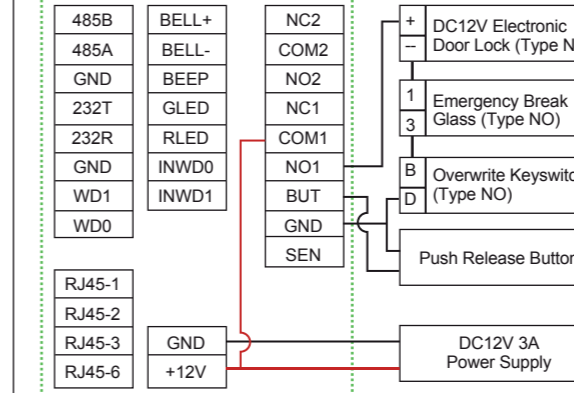
Door Lock Type NC • Normally Close

DIAGRAM 1



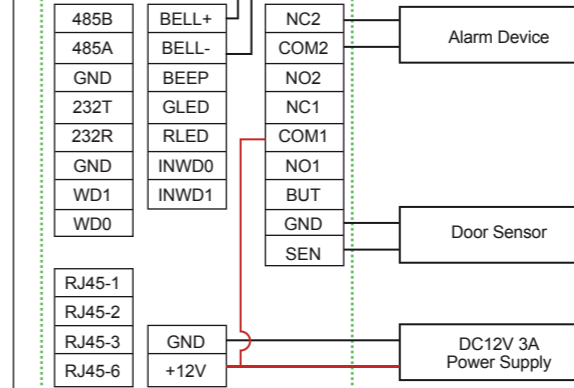
Door Lock Type NO • Normally Open

DIAGRAM 2



Other Accessories • Door Sensor, Alarm, Doorbell

DIAGRAM 3



INSTALLATION OF R2i AS SLAVE TERMINAL



R2i is a slave terminal, which can work with R2. Before proceed with installation, please make sure that the connection port of the Master terminal has an 11-pin socket available to connect R2i to the R2.

DIAGRAM

