



Keylock 6600

FingerTec® Keylock 6600 Series effortlessly delivers security and sophistication to your access control with a combination of fingerprint verification technology, password and mechanical key to safeguard your property; its sleek design and robust structure adds the solid and exquisite appearance to your space.

FingerTec® Keylock 6600 Series is capable to read almost all types of fingerprints and in addition to its stylish scanner protection; the lock secures the scanner for excellent reading everytime. The unlocking methods of fingerprint and password employed by the FingerTec® Keylock 6600 Series provide user with extra comfort and safety. With the FingerTec® Keylock 6600 Series, you can leave your room without having to worry about your keys anymore.

FingerTec® Keylock 6600 Series brings door lock to a new level of elegance and making your door the center stage of the room.

FEATURES & BENEFITS

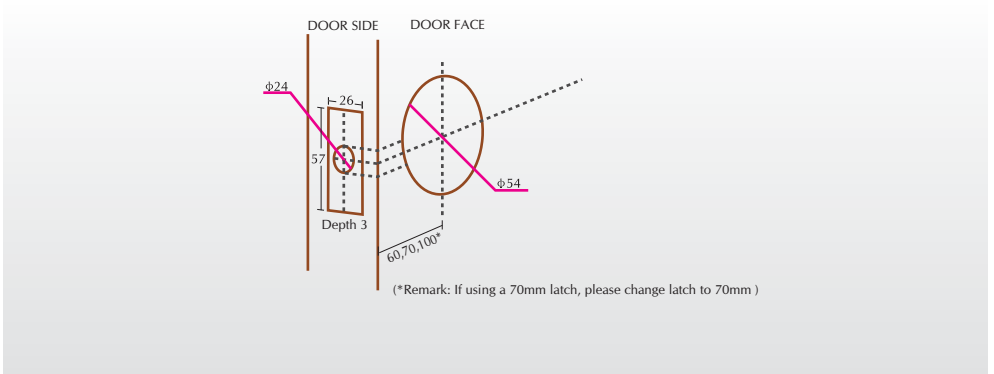
- SECURED LOCKING METHODS**
 Features three types of secured locking methods which include fingerprint, password and mechanical key for better protection.
- ADVANCED SENSOR TECHNOLOGY**
 Keylock deploys the cutting edge matching fingerprint technology to ensure reliability of every fingerprint reading.
- SCANNER PROTECTION**
 Keylock is equipped with a cover which slides upward to protect the scanner from dust, moist, and weather effects, for a longer lasting and a more reliable scanner.
- ROBUST STRUCTURE**
 Keylock employs nanotechnology and its pure stainless steel mechanical rotating structure can make it lasts for 10 years under normal usage.
- EASY INSTALLATION**
 No additional hole is required to install Keylock, as it utilizes the existing doorknob hole available.
- BATTERY LIFETIME**
 Only four 1.5V standard alkaline batteries needed and with its energy saving design, the batteries can last up to 15,000 unlocking activities under normal use.
- ADDITIONAL FEATURE ON 6600A**
 Supports 9V battery as backup power when internal battery is flat.



INSTALLATION DIAGRAM

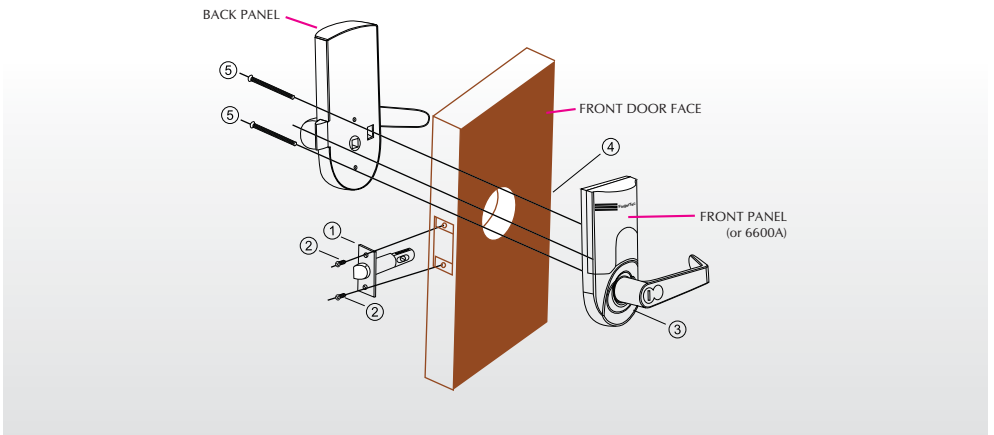
Door Hole Layout

for illustration only



Keylock Installation

for illustration only



SPECIFICATIONS

MODEL	Keylock 6600	Keylock 6600A
SURFACE FINISHING	Zinc Alloy	
TYPE OF SCANNER	Optical	
RESOLUTION OF SCANNER (dpi)	560	
PRODUCT DIMENSION (L X W X H), mm	145 x 70 x 150	140 x 75 x 175
STORAGE		
• Fingerprint templates	75	150
• Password	78	
ENROLLMENT & VERIFICATION		
• Methods	Fingerprint (1:1, 1:N), Password	
• Recommended fingerprint per user ID	2	
• Fingerprint placement	Any angle	
• Verification time (sec)	< 1	
• FAR (%)	< 0.0001	
• FRR (%)	< 1	
• Length of password (bytes)	8	
OPERATING ENVIRONMENT		
• Temperature (°C)	0 ~ 45	
• Humidity (%)	20 ~ 80	
• Power input	4 x 1.5V AA Battery	
• Power consumption – static (uA)	< 40	
• Power consumption – activity (mA)	< 100	
• Power consumption – driving (mA)	< 400	
• Antistatic voltage (V)	> 1500	
• Low battery warning voltage (V)	< 9	
BACKUP UNLOCK MECHANISM	Mechanical key	Battery & Mechanical key



Packaging

Dimension (mm): 330(L) x 270(W) x 190(H)
Weight : 2.6kg



FINGERTEC
www.fingertec.com

©2010 FingerTec Worldwide Sdn. Bhd. All rights reserved.

Authorized Reseller: