



Superior Smart Lock TL-40B



Fingerprint



USB



Bluetooth



Key

FingerTec Smart Lock TL-40B is a convenient door lock system which based its design on all of the best aspects of technological advances. TL-40B comes with 5 unlocking methods: fingerprint, mechanical key, password, card and smartphone App access through Bluetooth connection. This superior smartlock is also embedded with an independent, patent protected clutch motor design which can be set to 3 different User Group Types: Admins, Regular Users or Temporary User for access to homes and offices. Besides, it also can store up to 100 fingerprint templates, 100 passwords, and 100 cards, and it can be linked to i-TimeTec and i-Neighbour App for more usages and unlimited user count. Experience TL-40B now for a more advanced and superior door access security features.



5 Unlocking Credentials

Unlock doors using fingerprint, mechanical key, password, card or your smartphone's Bluetooth connection.



Optimal Battery Life

Only 4 AA alkaline batteries are required to operate over 6000 accesses. Hence, approximately a year of use before you are faced with the low-battery warning indication.



3 User Group Types

Gain better access control management with FingerTec Smart Lock User Group Types: Admins, Regular Users and Temporary Users.



Reversible Left-Right Open

Changing the handle from left to right and vice versa only requires a latch change.



User Capacity

Register as many users within i-TimeTec App and i-Neighbour App through a smartphone.



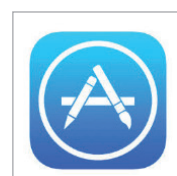
Emergency Override Key

In case of an emergency like losing a smartphone. TL-400B comes with a concealed override key for accessing the door.



Normally Open Type

This particular setting caters for offices or areas with regular visitor access. Thereby, reducing instances resulting in entrances being 'bottlenecked'.





Downloadable App


Android and iOS Apps for i-TimeTec and i-Neighbour are available for those who prefer to use a smartphone of door access.



WEB LINK

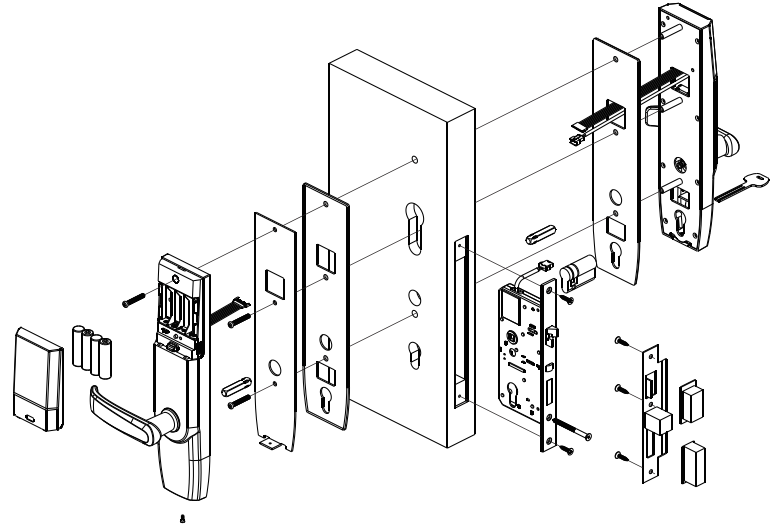
 Quick Start Guide
<http://info.fingertec.com/TL40B-1>

 Installation Guide
<http://info.fingertec.com/TL40B-2>

 User Guide
<http://info.fingertec.com/TL40B-3>

LAYOUT PLAN

Installation Diagram



SPECIFICATIONS

MODEL	TL-40B
SURFACE FINISHING	Zinc alloy
TYPE OF SCANNER/ANTENA	Optical fingerprint scanner
ALGORITHM	Biobridge VX 10.0
RESOLUTION OF SCANNER (dpi)	560
PRODUCT DIMENSION (L X W X H), mm	Front panel: 72 x 30 x 310 (with handle) Back panel: 72 x 34 x 310 (with handle)
Thickness of door, mm	30-38 (optional), 50-65 (optional)
Door latch type	Mortise design with single latch and two deadbolts
Inner lock switch	Yes
STORAGE	
Fingerprint templates	100
Password	100
Card	100
Bluetooth	Unlimited users for i-Security App & i-Neighbour App
FINGERPRINT & VERIFICATION	
Fingerprint	1:N
Recommended fingerprint per user ID	2
Fingerprint placement	Any angles
Verification time (sec)	< 1
FAR (%)	< 0.0001
FRR (%)	< 0.1
BLUETOOTH VERIFICATION	
Communication	Bluetooth 4.0
OPERATING ENVIRONMENT	
Voice guidance	Yes
Temperature (°C)	- 20 to - 55
Humidity (%)	20 ~ 80
Power input	4 x 1.5v AA battery for 6000 operations
Power consumption - static (µA)	< 35
Power consumption - activity (mA)	< 135
Power consumption - driving (mA)	< 200
Antistatic voltage (V)	> 1500
Low battery warning voltage (V)	< 4.5
BACKUP UNLOCK MECHANISM	Battery & mechanical key
MOBILE OS	Android 4.0.2 and above, iOS 8.0 and above
APP LANGUAGE	Arabic, Chinese Simplified and Traditional, English, Hindi, Indonesian, Malay, Nepali, Spanish, Thai, Turkish, Vietnamese. Other languages are available upon request.



Packaging

Dimension (mm) : 298 (L) x 123 (W) x 222 (H)
 Weight : 4.6 kg

NOTE: Specifications are subject to change. Check <http://product.fingertec.com> for latest product information.

Authorized Reseller:



FINGERTEC
www.fingertec.com
 © 2019 Timetec Cloud Sdn Bhd. All rights reserved.