



Elevate Security

R2

Door Access & Time Attendance System



Fingerprint



Card



Password



TCP/IP



RS232/RS485



USB



FingerTec R2 is an access control and time attendance machine, designed to manage door access security at your office premise. This biometrics verification machine flexibly supports variety of identity authentication including fingerprint, card, password and their combinations before granting access to your restricted areas.

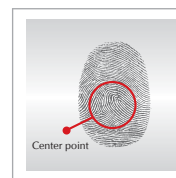
Sleek yet user-friendly, R2 does not only provide users with aesthetic value but it also offers them convenience with the hi-tech one-fingerprint-one-second verification speed. Having R2 system in place, it heightens the level of security and automates access activities data collection simultaneously. Each activity at the machines will be instantly recorded for monitoring and audit purpose, providing you with a safer environment and intact accurate records at all times.

FingerTec R2 comes with the powerful complementary software for door access and time attendance, Ingress, and its firmware is using Linux, which offers a more flexible operating system to customize features and it is more responsive in handling daily operations and data flow. Data portability in R2 has been made simple with several communication options available including TCP/IP, RS232, RS485 Cable, and USB.



Variety of Verification

R2 contains not only fingerprint verification, but also provide other commonly used methods including cards, passwords, and their combinations.



Precise Identity Verification

R2 uses minutiae point matching fingerprint technology, an advanced algorithm to match the stored fingerprint template with the live one to guarantee authenticity.



Integrate With 3rd Party Software

Complimentary FingerTec's Bio-Bridge SDK is available for integration with third party software.



Data Management Simplified

FingerTec R2 is equipped with TCP/IP connectivity and when that is not available, a USB flash port can be used to transfer transaction logs into your computer.



Manage Remote Data Easily

With Ingress, manage the data of all your remote doors easily, determine the settings of your access control system and get the details of all the access activities from one central location.



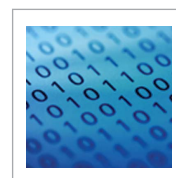
Short Message Display

Communicate with your employee by personalizing a short message to be displayed at the terminal when they verify. The message can be directed to an individual or to a group of staff.



Built In Alarm

R2 allows installation of external alarm to your access system to alert you during emergencies and break-ins. Secure your premise with GroupTimeZone and Group Verify functions.



Workcodes

Let your employee experience independence by reporting their whereabouts via R2 workcode function. Select a workcode listed and scan a finger to verify.

WEB LINK

Product
• <http://info.fingertec.com/r2-1>

Quick Start Guide
• <http://info.fingertec.com/r2-2>

Installation Guide
• <http://info.fingertec.com/r2-3>

User Guide
• <http://info.fingertec.com/r2-4>

Video Guide
• <http://info.fingertec.com/r2-5>

Technical Tips
• <http://info.fingertec.com/r2-6>

Ingress Software
• <http://info.fingertec.com/ingress>



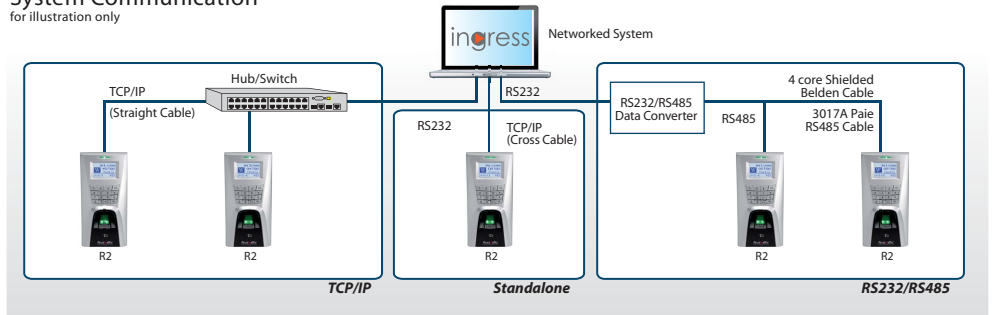
Packaging

Dimension (mm) : 245 (L) x 90 (W) x 225 (H)
Weight : 1.85 kg (with AdapTec Plus)
: 1.2 kg (without AdapTec Plus)

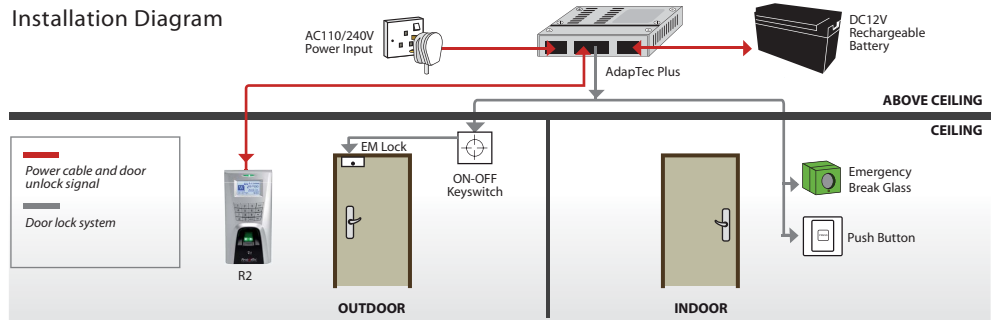
LAYOUT PLAN

System Communication

for illustration only



Installation Diagram



SPECIFICATIONS

MODEL	R2
SURFACE FINISHING	Acrylonitrile butadiene styrene (ABS)
TYPE OF SCANNER	Non coated optical scanner
MICROPROCESSOR	400 MHz
MEMORY	128 MB flash memory & 32 MB SDRAM
ALGORITHM	BioBridge VX 9.0 / VX 10.0
PUSH TECHNOLOGY	Yes
DIMENSION (L X W X H), mm	94 x 50 x 189
STORAGE	
• Fingerprint templates	3000
• Transactions	120000
ENROLLMENT & VERIFICATION	
• Methods	Fingerprint (1:1, 1:N), card & password
• Recommended fingerprint per user ID	2
• Fingerprint placement	Any angle
• Verification time (sec)	< 1
• FAR (%)	< 0.0001
• FRR (%)	< 1
CARD TECHNOLOGY	
• RFID: 64-bit, 125kHz	Yes
• MIFARE: MF1S50/S70, 13.56MHz	Made to order
• HID: HID 1326, 26-bit, 125kHz	Made to order
COMMUNICATIONS	
• Method	TCP/IP, RS232, RS485, USB disk
• Baud rates	9600, 19200, 38400, 57600, 115200
• Wiegand	26-bit input/output
OPERATING ENVIRONMENT	
• Temperature (°C)	0 ~ 45
• Humidity (%)	20 ~ 80
• Power input	DC 12V 3A
TIME ATTENDANCE	
• Work codes	Yes
MULTIMEDIA	
• Voice	Yes
• Short messaging	Yes
ACCESS CONTROL	
• EM lock driving output	DC 12V 3A / relay output
• Alarm output	NO / NC
• Anti passback	Yes
VOICE / DISPLAY LANGUAGE (TERMINAL)	English (Standard), Arabic, Indonesian, Chinese Traditional (Cantonese), Chinese Simplified, Vietnamese, Spanish, Portuguese (Portugal), Turkish, Persian. Other languages are available upon request.
SOFTWARE LANGUAGE	Arabic, Bulgarian, Chinese (Simplified), Chinese (Traditional), English, German, Hindi, Indonesian, Kurdish, Malay, Portuguese, Russian, Spanish, Thai, Vietnamese

NOTE: Specifications are subject to change. Check <http://product.fingertec.com> for latest product information.



FINGERTEC
www.fingertec.com

©2016 Timetec Computing Sdn Bhd. All rights reserved.