

TA300 Defining Mobility

TA300 can be described as a definition of "mobility", as it is not only wireless in nature, it is also portable. The long lasting battery option leaves you with less worries about power supply - simply let it run on battery power for mobility, or plug in the power cable for a longer duration of use. TA300 was designed especially for small to medium sized businesses. From the minute it comes out of the box, you'll find it simple to use as it requires no installation, no power supply, and no cables of any sort. Communication with this device is done purely through the simple use of a USB connector. This device can be placed on any flat surface, making it suitable for businesses such as tuition centers, training centers, travel agencies and so on. Overall, TA300 is your FingerTec solution if you are looking for mobility and reliability.

*Made to order



No Installation Needed

TA300 is ready to be used straight out of the box without any hassle of wiring. Just place it on a surface, and it's ready to go!



Battery Powered

TA300 has a built in battery that can last up to 5 hours under normal usage. No need to worry about power cuts or lack of power supply points anymore!



Easy Data Management

Uploading and downloading of data is possible with TA300. Data management is done simply with a USB cable. Get ready to Plug & Play!



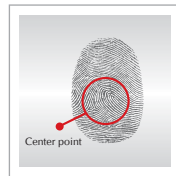
Fast Paced & Versatile

TA300 gives you an option of identity verification through fingerprint scanning or password. On top of that, fingerprint verification is done within a second!



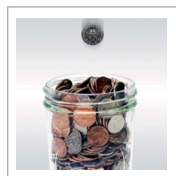
Sturdy and Stable

TA300 has a wide base for stability, and is designed to be placed on a flat surface. This makes it suitable to be used in almost any businesses and centres.



Small in Looks, Big in Storage

TA300 may look small and compact, but it is able to store 500 fingerprint templates, and 30000 transactions at one go. This means less frequent downloading of data for you.



Value for Money

This model was designed to be economical so that you are able to implement FingerTec solutions at a lower cost. We believe that when it comes to security, there should be no compromise.



Manage Data Easily

TCMS V3 is loaded with useful features complete with various reports for your business. Its data integration to 3rd party software is made available through the readily available SDK.



WEB LINK

Product
<http://info.fingertec.com/ta300-1>

Quick Start Guide
<http://info.fingertec.com/ta300-2>

User Guide
<http://info.fingertec.com/ta300-3>

Video Guide
<http://info.fingertec.com/ta300-4>

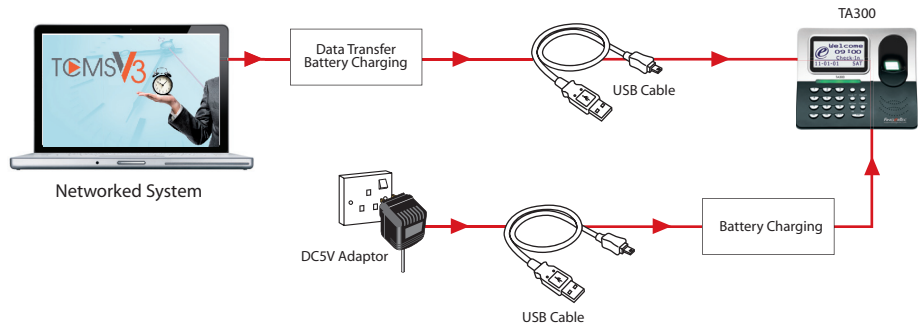
Technical Tips
<http://info.fingertec.com/ta300-5>

TCMSV3 Software
<http://info.fingertec.com/tcmsv3>

LAYOUT PLAN

Single Terminal System

for illustration only



SPECIFICATIONS

MODEL	TA300
SURFACE FINISHING	Acrylonitrile butadiene styrene (ABS)
TYPE OF SCANNER	Non coated optical scanner
MICROPROCESSOR	400 MHz
MEMORY	8 MB flash memory
ALGORITHM	BioBridge VX 9.0 / VX10.0
PRODUCT DIMENSION (L X W X H), mm	160 x 120 x 127
STORAGE	
• Fingerprint templates	1500
• Transactions	50000
ENROLLMENT & VERIFICATION	
• Methods	Fingerprint (1:1, 1:N) & password (<i>Optional RFID card</i>)
• Recommended fingerprint per user ID	2
• Fingerprint placement	Any angle
• Verification time (sec)	< 1
• FAR (%)	< 0.0001
• FRR (%)	< 1
CARD TECHNOLOGY	
• RFID: 64-bit, 125kHz	Made to order
• MIFARE: MFIS50/S70, 13.56MHz	Made to order
• HID: HID 1325, 26-bit, 125kHz	Made to order
COMMUNICATIONS	
• Method	USB client
OPERATING ENVIRONMENT	
• Temperature (°C)	0 ~ 45
• Humidity (%)	20 ~ 80
• Power input	DC 5V 800mA
MULTIMEDIA	
• Voice	Yes
• Display	Black and white
• Internal backup battery	Yes (DC 5V, 1300mAh)
VOICE / DISPLAY LANGUAGE (TERMINAL)	English (Standard), Arabic, Indonesian, Chinese Traditional / Simplified, Cantonese, Vietnamese, Spanish, Portuguese (Portugal), Portuguese (Brazil), French, Persian. <i>Other languages are available upon request.</i>
SOFTWARE LANGUAGE	Arabic, Bulgarian, Chinese (Simplified), Chinese (Traditional), English, German, Hindi, Indonesian, Kurdish, Malay, Persian, Portuguese, Russian, Spanish, Thai, Vietnamese

NOTE: Specifications are subject to change. Check <http://product.fingertec.com> for latest product information.



Packaging

Dimension (mm) : 170 (L) x 136 (W) x 146 (H)
 Weight : 0.92 kg

Authorized Reseller:



FINGERTEC
www.fingertec.com

© 2016 Timetec Computing Sdn Bhd. All rights reserved.