



Setting boundaries with Smart Keylock 8800



Keylock 8800 is a simple access control device, with a mechanical door lock design. The device was designed to be installed on the door of a restricted area, as it has a stainless steel bar latch that functions as a door knob, suitable as an access control tool. The beauty of Keylock 8800 is its simplicity. From installation to administration, Keylock 8800 is wire-free and hassle-free. User management can be done easily at the terminal itself. Keylock 8800 manages to stay wireless due to its battery operated power source, and its USB flash disk feature. To sum it up, Keylock 8800 is a user-friendly product which, despite its size, contains the features that you need in an access control device.



Simple Outlook

Keylock 8800 was designed with simplicity in mind. Its user friendliness is derived from its combination of a small LCD display, and a total of only 5 simple buttons.



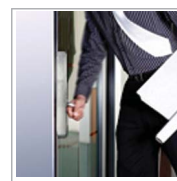
Simple USB Data Transfer

All you need is a USB flash disk to transfer transaction logs from Keylock 8800 to your computer. It is that easy!



Multi-Verification Methods

Keylock 8800 is still able to accept all three fingerprint, password, and RFID card verifications (or a combination of the above) for user convenience.



Visitor-Friendly

Expecting unregistered guests? The Keylock 8800 has just the option: a visitor mode that allows free access of the secured area when activated.



Minimal Space Usage

Keylock 8800 installation is done on the door itself. There is no more need to lose precious time contemplating about wall space or positioning.



No Wiring, No Worrying!

The power for Keylock 8800 is supplied using 4 AA alkaline batteries, which can last for 5000 unlockings, with a battery life indicator located on the top left corner of the LCD screen. No more hassle of wiring!



Improved Sensor Technology

Keylock 8800 has a new and improved fingerprint matching technology that verifies fingerprints in less than 1 second.



Simple Terminal Management

Addition, deletion and amendment of users can be easily done at the Keylock 8800 terminal itself using an administrator card. These processes are also made easy with indicators on the LCD screen.

WEB LINK



Product

• <http://info.fingertec.com/keylock8800-1>



Installation Guide

• <http://info.fingertec.com/keylock8800-2>



User Guide

• <http://info.fingertec.com/keylock8800-3>



Video Guide

• <http://info.fingertec.com/keylock8800-4>

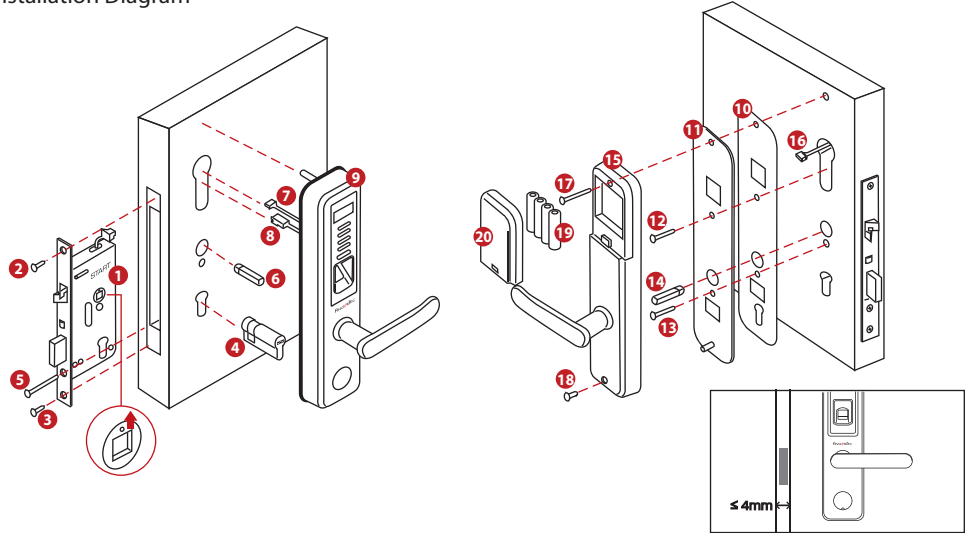


Technical Tips

• <http://info.fingertec.com/keylock8800-5>

LAYOUT PLAN

Installation Diagram



SPECIFICATIONS

MODEL	Keylock 8800	
SURFACE FINISHING	Zinc alloy	
TYPE OF SCANNER	Optical fingerprint scanner	
DISPLAY	OLED black and white display	
MICROPROCESSOR	400 MHz	
MEMORY	4 MB flash memory	
ALGORITHM	BioBridge VX 9.0	
RESOLUTION OF SCANNER (dpi)	560	
PRODUCT DIMENSION (L X W X H), mm	Front panel 150 x 85 x 310 (with handle) 70 x 35 x 310 (without handle)	Back panel 150 x 80 x 310 (with handle) 70 x 30 x 310 (without handle)
• Thickness of door (mm)	35-55	
• Door latch type	Mortise, 3-tongue	
• Inner lock switch	Yes	
STORAGE		
• Fingerprint templates	500	
• Cards	100	
• Passwords	100	
• Transactions	30000	
ENROLLMENT & VERIFICATION		
• Methods	Fingerprint (1:1, 1:N), card & password	
• Recommended fingerprint per user ID	2	
• Fingerprint placement	Any angle	
• Verification time (sec)	< 1	
• FAR (%)	< 0.0001	
• FRR (%)	< 1	
• Length of password (digits)	8	
CARD TECHNOLOGY		
• RFID: 64-bit, 125kHz	Yes	
• MIFARE: MFIS50/S70, 13.56MHz	Made to order	
• HID: HID 1326, 26-bit, 125kHz	Made to order	
COMMUNICATIONS		
• Method	USB disk	
OPERATING ENVIRONMENT		
• Temperature (°C)	0 ~45	
• Humidity (%)	20 ~ 80	
• Power input	4 x 1.5V AA battery for 4000 operations	
• Power consumption – static (uA)	< 40	
• Power consumption – activity (mA)	< 100	
• Power consumption – driving (mA)	< 400	
• Antistatic voltage (V)	> 1500	
• Low battery warning voltage (V)	< 4.67	
BACKUP UNLOCK MECHANISM	Battery & mechanical key	
DISPLAY LANGUAGE (TERMINAL)	English (Standard), other languages are available upon request.	
SOFTWARE LANGUAGE	English, Arabic, Chinese Traditional / Simplified, Spanish, Thai, Russian, Malay. Other languages are available upon request.	

NOTE: Specifications are subject to change. Check <http://product.fingertec.com> for latest product information.

Authorized Reseller:



Packaging

Dimension (mm): 410 (L) x 140 (W) x 225 (H)
Weight : 5.15kg



FINGERTEC
www.fingertec.com

© 2000-2014 FingerTec Worldwide Limited. All rights reserved.